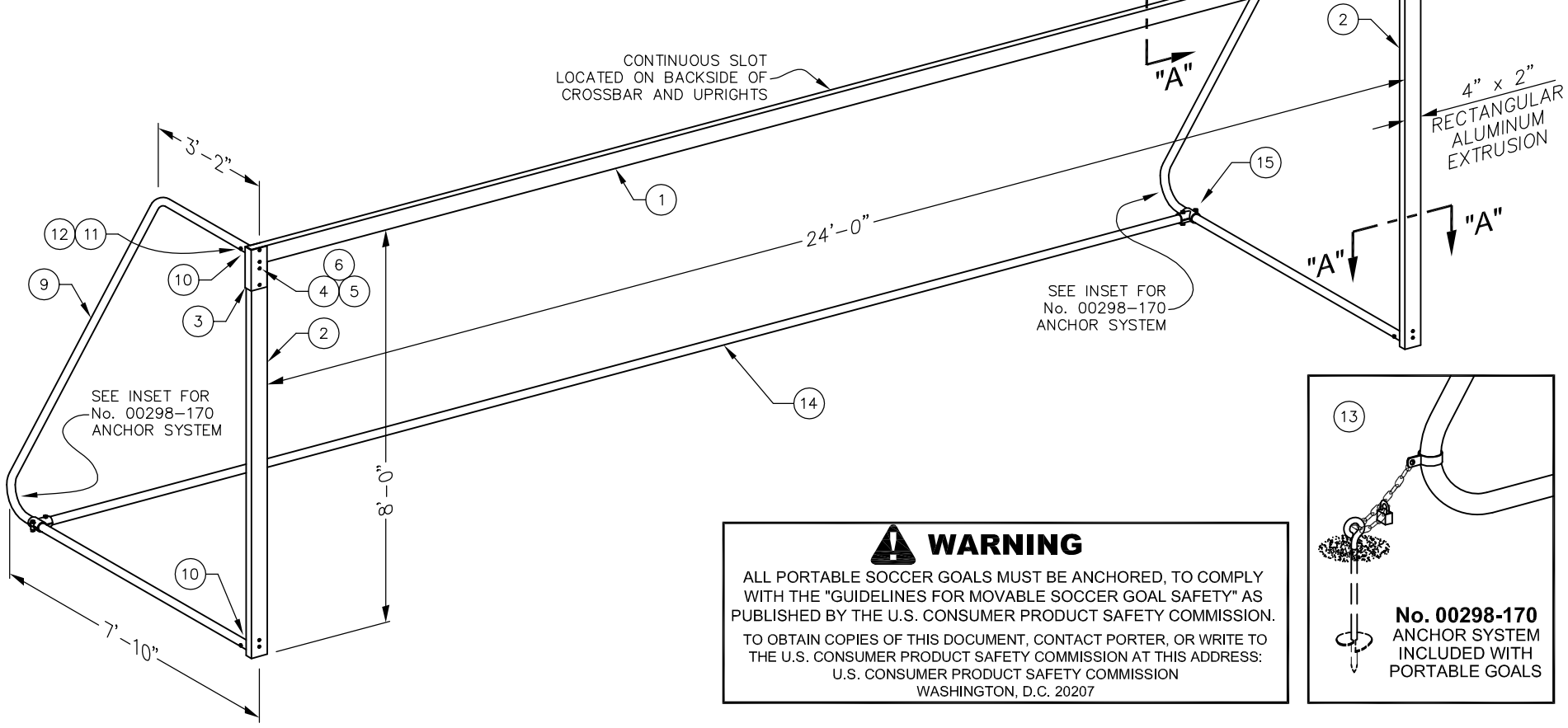
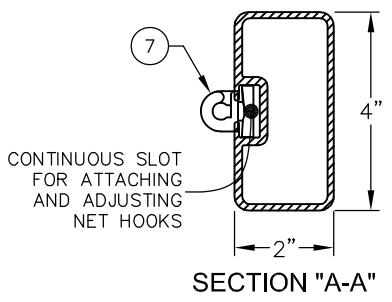


REVISION		DATE		CUSTOMER No.		PORTER No.	

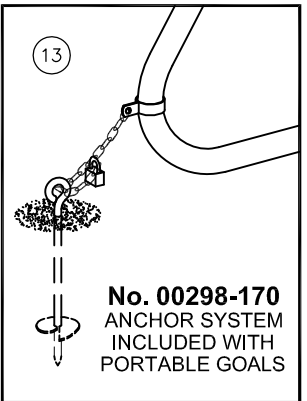
  

No.	QTY.	DESCRIPTION
1	2	FRME 00431 003 CROSSBAR
2	4	FRME 00432 003 UPRIGHT
3	4	BRKT 00043 003 FORMED CORNER BRACKET
4	24	HDWE 06154 0E0 3/8" x 3" Lg. BUTTON HEAD CAP SCREW
5	24	HDWE 04002 0E0 3/8" LOCK WASHER
6	24	HDWE 03002 0E0 3/8" HEX NUT
7	80	ROPE 00082 000 NET HOOK
8	20	ELEC 00218 002 CABLE TIE (NOT SHOWN)
9	4	FRME 00427 0G0 FORMED BACKSTAY
10	8	BRKT 00041 003 BACKSTAY BRACKET
11	8	HDWE 01208 0E0 3/8" x 2 1/2" Lg. HEX HEAD CAP SCREW (Gr. 5)
12	8	HDWE 03072 0E0 3/8" CONVEX LOCK NUT
13	1	00298-170 ANCHOR SYSTEM (SEE INSET)
14	1	TUBR 00842 0G0 SPREADER TUBE 1-7/8" DIA. x 24'-2" Lg.
15	2	TEES 00016 0G0 TEE FITTING 1-7/8" to 1-7/8"



**WARNING**

ALL PORTABLE SOCCER GOALS MUST BE ANCHORED, TO COMPLY WITH THE "GUIDELINES FOR MOVABLE SOCCER GOAL SAFETY" AS PUBLISHED BY THE U.S. CONSUMER PRODUCT SAFETY COMMISSION. TO OBTAIN COPIES OF THIS DOCUMENT, CONTACT PORTER, OR WRITE TO THE U.S. CONSUMER PRODUCT SAFETY COMMISSION AT THIS ADDRESS:  
 U.S. CONSUMER PRODUCT SAFETY COMMISSION  
 WASHINGTON, D.C. 20207

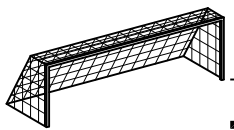


467100  
 SOCCER GOAL - 4" x 2" ALUMINUM PORTABLE

**Porter**  
 WORLD LEADER IN QUALITY SPORTS EQUIPMENT  
 2500 S. 25th AVENUE  
 BROADVIEW, ILLINOIS 60155  
 www.portersathletic.com

- OPTIONAL ACCESSORIES**
- No. 00469-204 UPRIGHT PADDING R-469
  - No. 00417-080 SEASONAL ANCHOR SYSTEM R-417
  - No. 00413-040 INTERNAL WEIGHT BAR KIT R-413
  - No. 00293-000 TRANSPORT KIT R-293
  - No. 00407-020 GOAL LOCKS R-407

PAGE No.  
 R-467-1



- **467100** ALUMINUM SOCCER GOAL (PAIR) PORTABLE LESS NET
- **00491-824** SOCCER NET (PAIR)

SEE PAGE No. R-490 FOR SOCCER NET INFORMATION

© COPYRIGHT 2008, PORTER ATHLETIC, INC. ALL RIGHTS RESERVED. DATE 6-1-2009  
 THIS PRINT IS THE PROPERTY OF PORTER ATHLETIC, INC. AND MAY NOT BE REPRODUCED WITHOUT WRITTEN PERMISSION.

# **SPECIFICATIONS**

## **PORTER No. 467100 ALUMINUM SOCCER GOALS** **LESS NET** **PORTABLE (ONE PAIR)**

Soccer goals shall meet all NFHS and NCAA requirements for championship soccer tournaments. The bottom edge of the horizontal crossbar shall be located 8'-0" above the playing field, with the sideframes positioned with a 24'-0" inside dimension. Goals shall be furnished in four sections (crossbar, two side frame assemblies, and rear spreader tube) for ease of assembly or dismantling for seasonal use.

Crossbar and uprights are constructed of a 4" x 2" lightweight high-tensile (6063-T6) aluminum extrusion finished in a durable white powder-coated finish. Backstays shall be fabricated from 1-7/8" O.D. galvanized steel tubing, and shall be secured to the uprights with steel brackets. All aluminum extrusion sections (crossbar and uprights) shall be designed with an internal continuous channel configuration, and furnished with special molded, high-tensile nylon no-tie net attachment clips for ease of installing or removing the nets. Sideframes shall be of a unitized design (upright and backstay, assembled in-field). Sideframes shall extend 7'-10" behind the face of the goal. Sideframes shall be secured to the crossbar with formed steel corner brackets. Backstay brackets and formed corner brackets shall be finished in a durable white powder-coated finish. Spreaders shall be 1-7/8" in diameter and shall be secured to soccer goal backstays with special tee fittings for maximum strength and stability. Spreader tubes and tee fittings shall be finished in a durable galvanized finish.

Goals are furnished complete with an auger-type anchor system (set of four), to attach to the backstays and secure the soccer goals in position. Each anchor shall consist of an auger-type ground anchor, backstay clamp fitting, 12" long chain, and padlock. Auger ground anchor shall screw into grass-type playing fields to a 14" depth to provide excellent grip capabilities.

### **OPTIONAL ITEMS TO SPECIFY**

- See Page No. R-469 for specifications on Porter No. 00469-204 Upright Padding (Set of Two, for one goal).
- See Page No. R-417 for specifications on Porter No. 00417-080 Seasonal Anchor System (Set of Eight).
- See Page No. R-413 for specifications on Porter No. 00413-040 Internal Weight Bar Kit (Set of Four).
- See Page No. R-293 for specifications on Porter No. 00293-000 Transport Kit (Set of Two).
- See Page No. R-407 for specifications on Porter No. 00407-020 Soccer Goal Locks (Set of Two).
- See Page No. R-490 for specifications on Porter No. 00491-824 Soccer Goal Net (Pair).