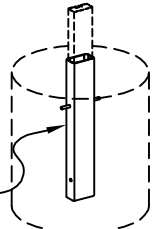
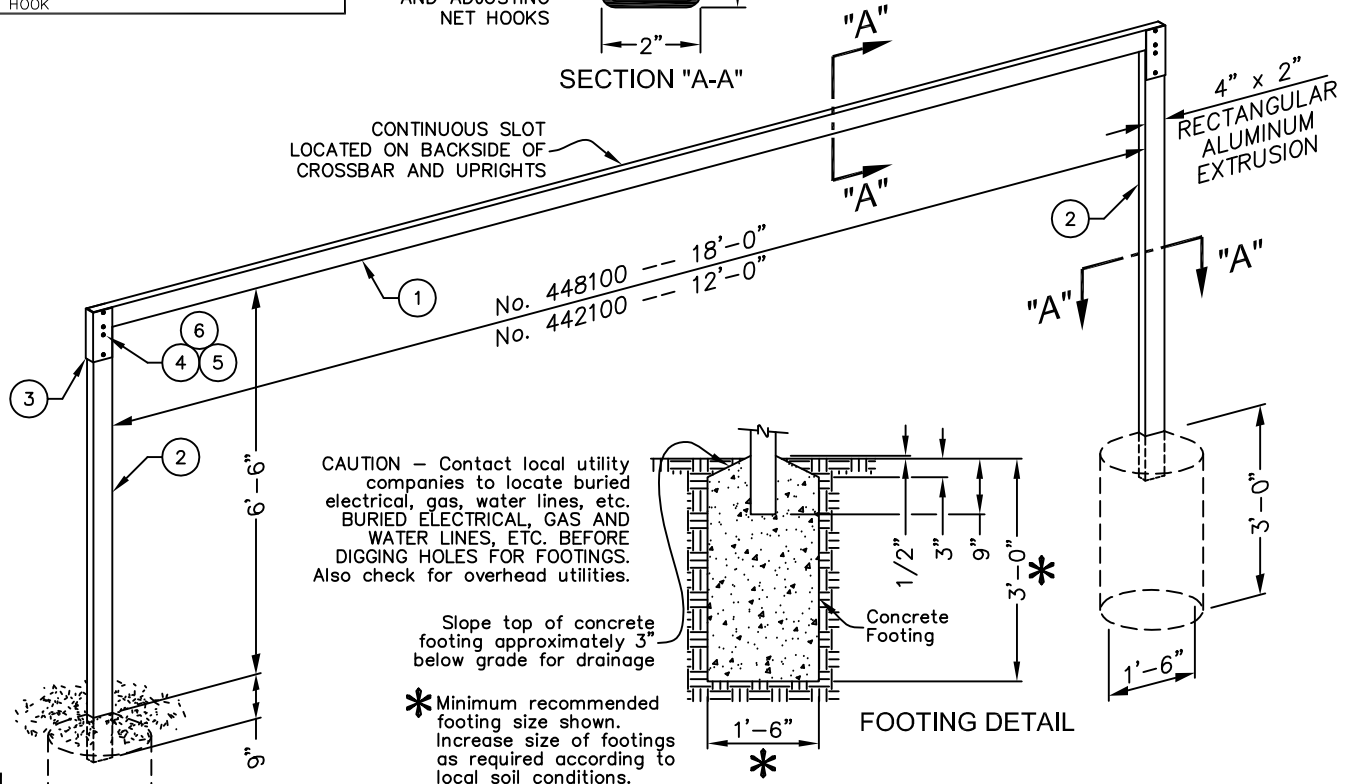
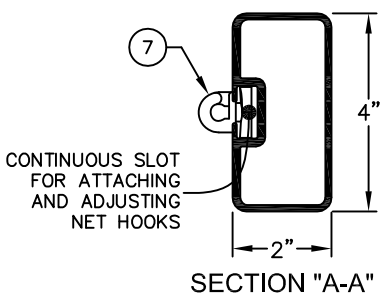


© COPYRIGHT 2008 PORTER ATHLETIC, INC. ALL RIGHTS RESERVED.  
 DATE: 5-1-2008  
 CUSTOMER No.:  
 PORTER No.:  
 DATE: 5-1-2008  
 CUSTOMER No.:  
 PORTER No.:  
**448100 and 442100**  
**YOUTH SOCCER GOALS - 4" x 2" ALUMINUM IN-GROUND / SLEEVE-TYPE**  
 THIS PRINT IS THE PROPERTY OF PORTER ATHLETIC, INC. AND MAY NOT BE REPRODUCED WITHOUT WRITTEN PERMISSION.  
**PORTER**  
 WORLD LEADER IN QUALITY SPORTS EQUIPMENT  
 2500 S. 25th AVENUE  
 BROADVIEW, ILLINOIS 60155  
 www.porterathletic.com  
 DRAWING BY: RJM  
 CHECKED BY: JPW  
 PAGE No.: R-448-1

PARTS LIST			
No.	448 100	442 100	DESCRIPTION
	QTY.	QTY.	
1	2		FRME446C CROSSBAR - 18'-8" Lg.
		2	FRME440C CROSSBAR - 12'-8" Lg.
2	4	4	FRME448U UPRIGHT
3	4	4	BRKT 00043 003 FORMED CORNER BRACKET
4	16	16	HDWE 06154 OE0 3/8" x 3" Lg. BUTTON HEAD CAP SCREW
5	16	16	HDWE 04002 OE0 3/8" LOCK WASHER
6	16	16	HDWE 03002 OE0 3/8" HEX NUT
7	60	48	ROPE 00082 000 NET HOOK

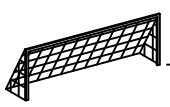


SPECIFY OPTIONAL No. 00424000 GROUND SLEEVE OR No. 00424873 FLOOR SLEEVE IF REMOVAL OF GOAL IS REQUIRED

**OPTIONAL ACCESSORIES**

- No. 00424-000 GROUND SLEEVE (OUTDOORS) R-424
- No. 00418-080 SOCCER NET TIE-DOWN STAKES R-418
- No. 00424-873 FLOOR SLEEVE (INDOORS) G-424-8
- No. 00490-040 NET FLOOR ATTACHMENT KIT R-490-4
- No. 00469-204 UPRIGHT PADDING R-469
- No. 00446-500/600 TRANSPORT/STORAGE CARTS G-446-5

PAGE No.



— **448100** ALUMINUM SOCCER GOAL (PAIR)  
6'-6" x 18'-0"  
IN-GROUND / SLEEVE-TYPE, LESS NET

— **00490-618** SOCCER NET (PAIR)



— **442100** ALUMINUM SOCCER GOAL (PAIR)  
6'-6" x 12'-0"  
IN-GROUND / SLEEVE-TYPE, LESS NET

— **00490-612** SOCCER NET (PAIR)

■ SEE PAGE No. R-490 FOR SOCCER NET INFORMATION

# **SPECIFICATIONS**

## **PORTER No. 448100 ALUMINUM SOCCER GOALS – 6'-6" x 18'-0"** **LESS NET** **IN-GROUND / SLEEVE-TYPE (ONE PAIR)**

Soccer goals shall be 6'-6" x 18'-0", to meet U7 through U11 requirements for competition. Goals shall be furnished in three sections (crossbar and two uprights) for ease of assembly or dismantling for seasonal use.

Crossbar and uprights are constructed of a 4" x 2" lightweight high-tensile (6063-T6) aluminum extrusion finished in a durable white powder-coated finish. All aluminum extrusion sections shall be designed with an internal continuous channel configuration, and furnished with special molded, high-tensile nylon no-tie net attachment clips for ease of installing or removing the nets. Uprights shall be secured to the crossbar with formed steel corner brackets. Formed corner brackets shall be finished in a durable white powder-coated finish.

Uprights shall extend 9" into concrete footings. (Specify optional No. 00424000 outdoor ground sleeves or No. 00424873 indoor floor sleeves, when removal of goals is required.)

- See Page No. R-490 for specifications on No. 00490618 Soccer Net (Pair).

## **PORTER No. 442100 ALUMINUM SOCCER GOALS – 6'-6" x 12'-0"** **LESS NET** **IN-GROUND / SLEEVE-TYPE (ONE PAIR)**

Same specification as No. 448100 with the exception that soccer goals shall be 6'-6" x 12'-0", for U7 through U8 requirements for competition.

- See Page No. R-490 for specifications on No. 00490612 Soccer Net (Pair).

### **OPTIONAL ITEMS TO SPECIFY**

- See Page No. R-424 for specifications on Porter No. 00424000 Outdoor Ground Sleeve (Each) for outdoor use.
- See Page No. R-418 for specifications on Porter No. 00418080 Soccer Net Tie-Down Stakes (Set of Eight).
- See Page No. G-424-8 for specifications on Porter No. 00424873 Floor Sleeve (Each) for indoor use.
- See Page No. R-490-4 for specifications on Porter No. 00490040 Net Floor Attachment Kit (Set of Four).
- See Page No. R-469 for specifications on Porter No. 00469204 Upright Padding (Set of Two, for one goal).
- See Page No. G-446-5 for specifications on Porter No. 00446500 (Indoor) or No. 00446600 (Outdoor) Transport/Storage Carts.