

REVISION	DATE	PORTER No.
CUSTOMER No.	DATE	

PARTS LIST			
No.	446 100 QTY.	DESCRIPTION	
1	2	FRME446C	CROSSBAR -- 18'-8" Lg.
2	4	FRME440U	UPRIGHT
3	4	BRKT 00043 003	FORMED CORNER BRACKET
4	24	HDWE 06154 0E0	3/8" x 3" Lg. BUTTON HEAD CAP SCREW
5	24	HDWE 04002 0E0	3/8" LOCK WASHER
6	24	HDWE 03002 0E0	3/8" HEX NUT
7	60	ROPE 00082 000	NET HOOK
8	20	ELEC 00218 002	CABLE TIE (NOT SHOWN)
9	4	FRME 00434 0G0	FORMED BACKSTAY
10	8	BRKT 00041 003	BACKSTAY BRACKET
11	8	HDWE 01208 0E0	3/8" x 2 1/2" Lg. HEX HEAD CAP SCREW (Gr. 5)
12	8	HDWE 03072 0E0	3/8" CONVEX LOCK NUT
13	1	00298-170	ANCHOR SYSTEM (SEE INSET)
14	1	TUBR 00791 218G	SPREADER TUBE 1-7/8" DIA. x 18'-2" Lg.
15	2	TEES 00016 0G0	TEE FITTING 1-7/8" TO 1-7/8"

© COPYRIGHT 2008, PORTER ATHLETIC, INC. ALL RIGHTS RESERVED.

6-1-2009

YOUTH SOCCER GOALS - 4" x 2" ALUMINUM PORTABLE

446100

THIS PRINT IS THE PROPERTY OF PORTER ATHLETIC, INC. AND MAY NOT BE REPRODUCED WITHOUT WRITTEN PERMISSION.

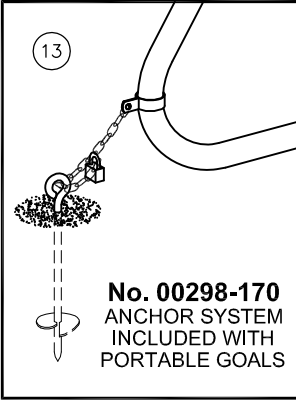
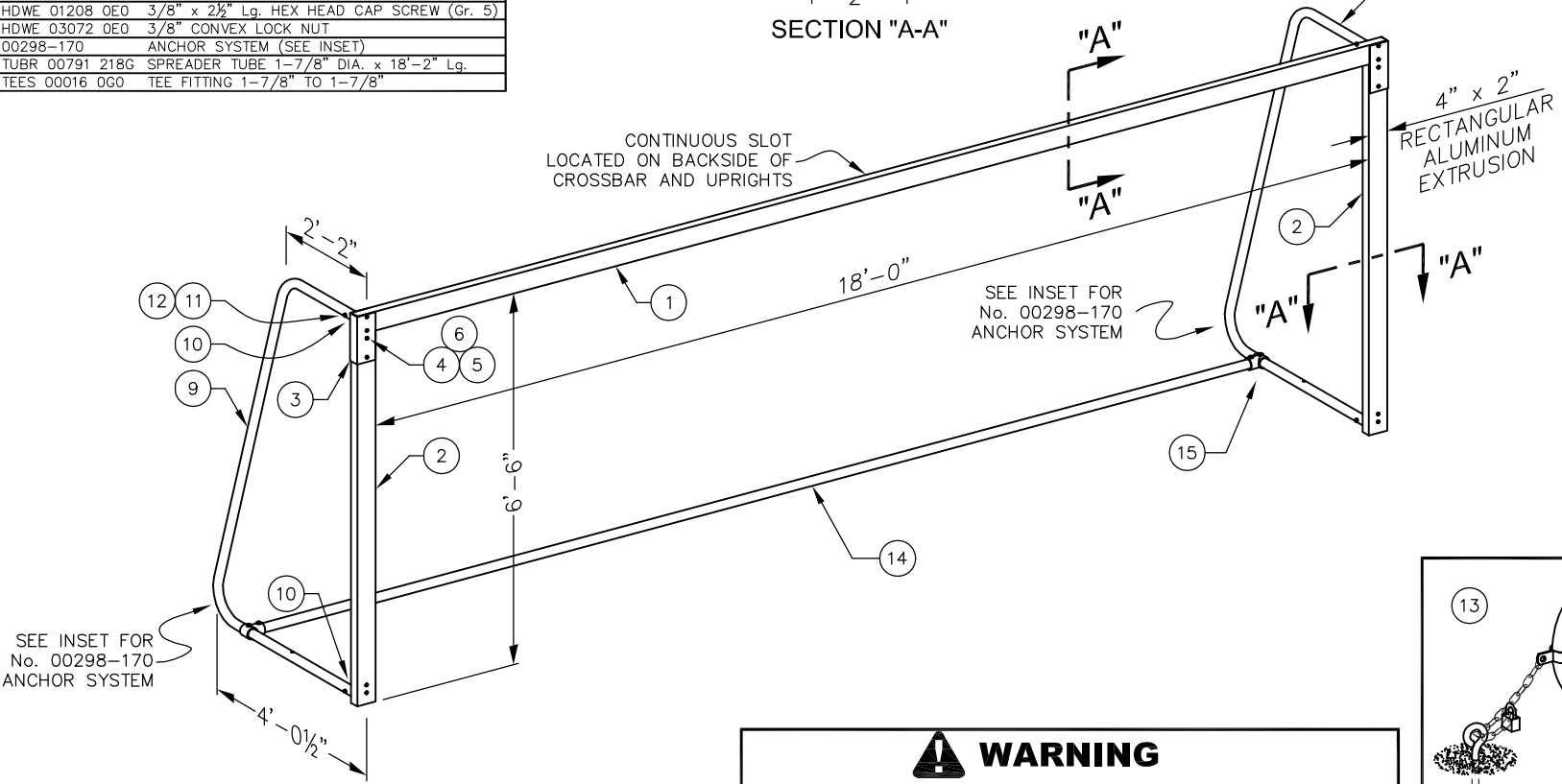
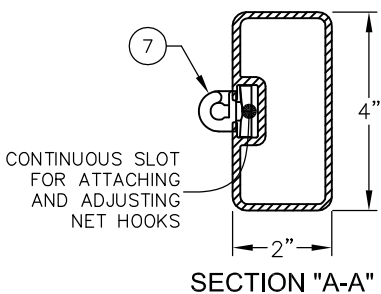
porter
WORLD LEADER
IN QUALITY SPORTS EQUIPMENT

2500 S. 25th AVENUE
BROADVIEW, ILLINOIS 60155
www.porterathletic.com

DRAWING BY
CEB

CHECKED BY
JPW

PAGE No.
R-446-1

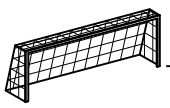


WARNING

ALL PORTABLE SOCCER GOALS MUST BE ANCHORED, TO COMPLY WITH THE "GUIDELINES FOR MOVABLE SOCCER GOAL SAFETY" AS PUBLISHED BY THE U.S. CONSUMER PRODUCT SAFETY COMMISSION.

TO OBTAIN COPIES OF THIS DOCUMENT, CONTACT PORTER, OR WRITE TO THE U.S. CONSUMER PRODUCT SAFETY COMMISSION AT THIS ADDRESS:
U.S. CONSUMER PRODUCT SAFETY COMMISSION
WASHINGTON, D.C. 20207

OPTIONAL ACCESSORIES	PAGE No.
■ No. 00469-204 UPRIGHT PADDING	R-469
■ No. 00417-080 SEASONAL ANCHOR SYSTEM	R-417
■ No. 00413-040 INTERNAL WEIGHT BAR KIT	R-413
■ No. 00293-000 TRANSPORT KIT	R-293
■ No. 00407-020 GOAL LOCKS	R-407
■ No. 00446-600 TRANSPORT/STORAGE CART (Outdoor)	G-446-5



- _____ - **446100** ALUMINUM SOCCER GOAL (PAIR)
6'-6" x 18'-0"
PORTABLE, LESS NET
- _____ - **00491-618** SOCCER NET (PAIR)

■ SEE PAGE No. R-490 FOR SOCCER NET INFORMATION

SPECIFICATIONS

PORTER No. 446100 ALUMINUM SOCCER GOALS – 6'-6" x 18'-0" **LESS NET** **PORTABLE (ONE PAIR)**

Soccer goals shall be 6'-6" x 18'-0", to meet U7 through U11 requirements for competition. Goals shall be furnished in four sections (crossbar, two side frame assemblies, and rear spreader tube) for ease of assembly or dismantling for seasonal use.

Crossbar and uprights are constructed of a 4" x 2" lightweight high-tensile (6063-T6) aluminum extrusion finished in a durable white powder-coated finish. Backstays shall be fabricated from 1-7/8" O.D. galvanized steel tubing, and shall be secured to the uprights with steel brackets. All aluminum extrusion sections (crossbar and uprights) shall be designed with an internal continuous channel configuration, and furnished with special molded, high-tensile nylon no-tie net attachment clips for ease of installing or removing the nets. Sideframes shall be of a unitized design (upright and backstay, assembled in-field). Sideframes shall be secured to the crossbar with formed steel corner brackets. Backstay brackets and formed corner brackets shall be finished in a durable white powder-coated finish. Spreaders shall be 1-7/8" in diameter and shall be secured to soccer goal backstays with special tee fittings for maximum strength and stability. Spreader tubes and tee fittings shall be finished in a durable galvanized finish.

Goals are furnished complete with an auger-type anchor system (set of four), to attach to the backstays and secure the soccer goals in position. Each anchor shall consist of an auger-type ground anchor, backstay clamp fitting, 12" long chain, and padlock. Auger ground anchor shall screw into grass-type playing fields to a 14" depth to provide excellent grip capabilities.

- See Page No. R-490 for specifications on No. 00491618 Soccer Net (Pair).

OPTIONAL ITEMS TO SPECIFY

- See Page No. R-469 for specifications on Porter No. 00469204 Upright Padding (Set of Two, for one goal).
- See Page No. R-417 for specifications on Porter No. 00417080 Seasonal Anchor System (Set of Eight).
- See Page No. R-413 for specifications on Porter No. 00413040 Internal Weight Bar Kit (Set of Four).
- See Page No. R-293 for specifications on Porter No. 00293000 Transport Kit (Set of Two).
- See Page No. R-407 for specifications on Porter No. 00407020 Soccer Goal Locks (Set of Two).
- See Page No. G-446-5 for specifications on Porter No. 00446600 Outdoor Transport/Storage Cart.