

REVISION DATE PORTER No. CUSTOMER No.

441-2  
YOUTH SOCCER GOALS  
PORTABLE

**PORTER**  
WORLD LEADER  
IN QUALITY SPORTS EQUIPMENT

DRAWING BY CEB  
PAGE No. R-441-3

© COPYRIGHT 2008 PORTER ATHLETIC, INC. ALL RIGHTS RESERVED. DATE 12-1-2008

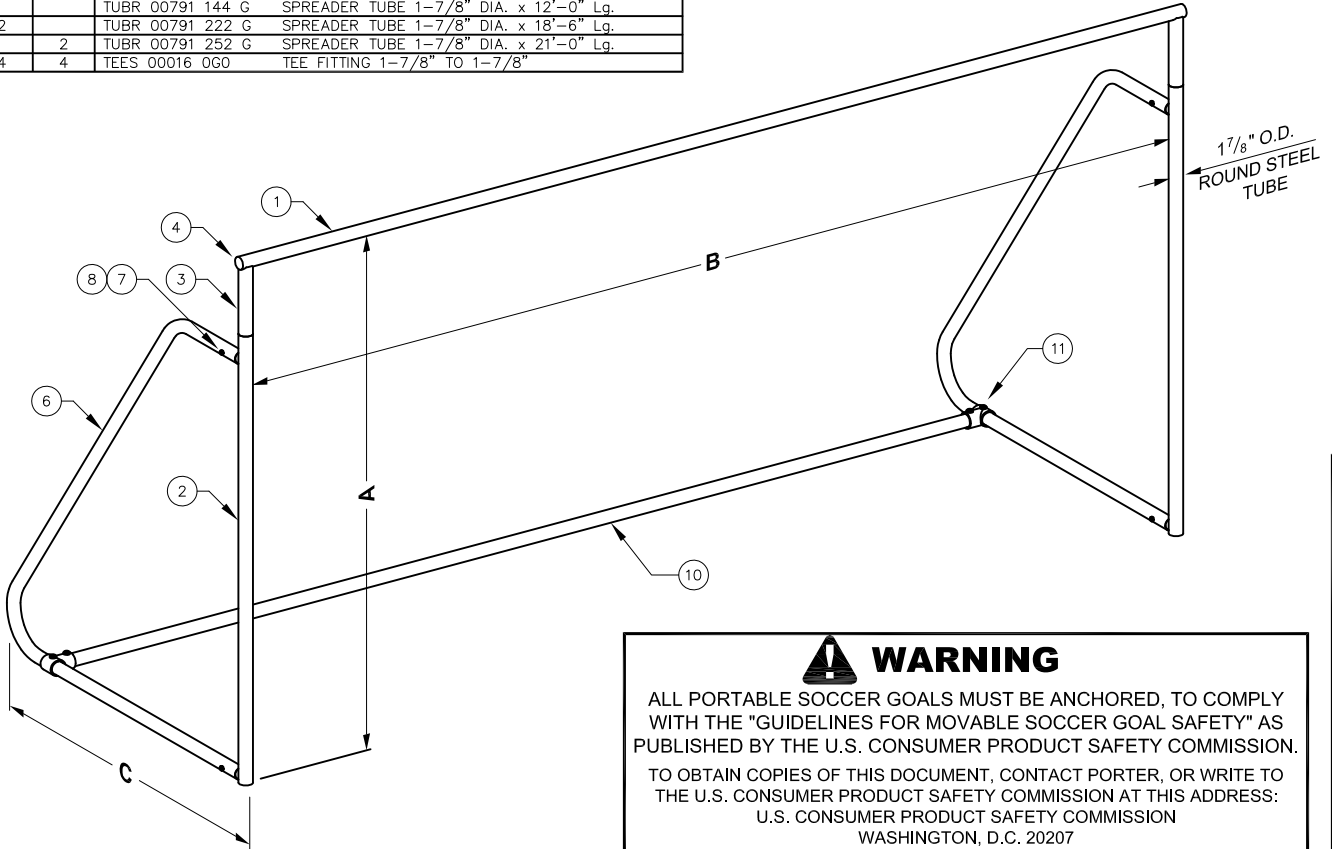
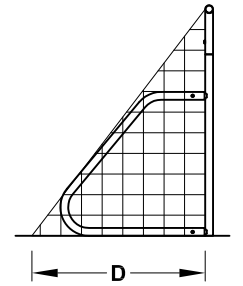
THIS PRINT IS THE PROPERTY OF PORTER ATHLETIC, INC. AND MAY NOT BE REPRODUCED WITHOUT WRITTEN PERMISSION.

2500 S. 25th AVENUE  
BROADVIEW, ILLINOIS 60155  
www.porterathletic.com

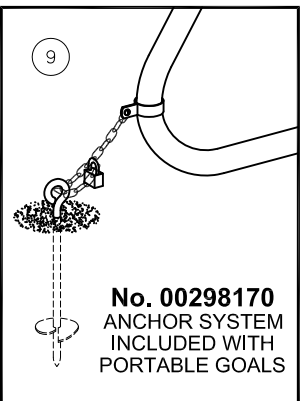
PARTS LIST (For PAIR of Goals)

No.	441 4062 QTY.	441 4092 QTY.	441 6122 QTY.	441 6182 QTY.	441 7212 QTY.	DESCRIPTION
1	2	2				FRME 441 01 072 3 CROSSBAR: 6'-0" Wide Goals
			2			FRME 441 01 108 3 CROSSBAR: 9'-0" Wide Goals
				2		FRME 441 01 144 3 CROSSBAR: 12'-0" Wide Goals
					2	FRME 441 01 222 3 CROSSBAR: 18'-6" Wide Goals
						FRME 441 01 252 3 CROSSBAR: 21'-0" Wide Goals
2	4	4				FRME 441 03 044 3 POST: 4'-0" High Goals
		4				FRME 441 03 050 3 POST: 4'-6" High Goals
			4	4		FRME 441 03 074 3 POST: 6'-0" High Goals
					4	FRME 441 03 080 3 POST: 7'-0" High Goals
3	4	4	4	4	4	HDWE 09017 OEO 3/8" x 1/2" Lg. SET SCREW
4	4	4	4	4	4	PCAP 00067 002 INSIDE CAP PLUG
5	42	48	82	82	92	ELEC 00218 002 CABLE TIE (Not Shown): For Securing Net To Goal
6			4	4	4	FRME 00438 OGO FORMED BACKSTAY
	4	4				FRME 00439 OGO FORMED BACKSTAY
7	8	8	8	8	8	HDWE 01208 OEO 3/8" x 2 1/2" Lg. HEX HEAD CAP SCREW (Gr. 5)
8	8	8	8	8	8	HDWE 03072 OEO 3/8" CONVEX LOCK NUT
9	1	1	1	1	1	00298170 ANCHOR SYSTEM (SEE INSET)
10	2	2				TUBR 00791 072 G SPREADER TUBE 1-7/8" DIA. x 6'-0" Lg.
						TUBR 00791 108 G SPREADER TUBE 1-7/8" DIA. x 9'-0" Lg.
			2			TUBR 00791 144 G SPREADER TUBE 1-7/8" DIA. x 12'-0" Lg.
				2		TUBR 00791 222 G SPREADER TUBE 1-7/8" DIA. x 18'-6" Lg.
					2	TUBR 00791 252 G SPREADER TUBE 1-7/8" DIA. x 21'-0" Lg.
11	4	4	4	4	4	TEES 00016 OGO TEE FITTING 1-7/8" TO 1-7/8"

GOAL No.	A Height	B Width	C Depth	Net No.	D Depth
4414062	4'	6'	3'-1"	4904063	3'-6"
4414092	4'-6"	9'	3'-1"	4904093	3'-6"
4416122	6'-6"	12'	4'-8"	4906125	5'
4416182	6'-6"	18'-6"	4'-8"	4906185	5'
4417212	7'	21'	4'-8"	4907215	5'



**WARNING**  
ALL PORTABLE SOCCER GOALS MUST BE ANCHORED, TO COMPLY WITH THE "GUIDELINES FOR MOVABLE SOCCER GOAL SAFETY" AS PUBLISHED BY THE U.S. CONSUMER PRODUCT SAFETY COMMISSION. TO OBTAIN COPIES OF THIS DOCUMENT, CONTACT PORTER, OR WRITE TO THE U.S. CONSUMER PRODUCT SAFETY COMMISSION AT THIS ADDRESS: U.S. CONSUMER PRODUCT SAFETY COMMISSION WASHINGTON, D.C. 20207



- OPTIONAL ACCESSORIES**
- No. 00417080 SEASONAL ANCHOR SYSTEM
  - No. 441SxxG REAR SPREADER KIT
  - No. 00413040 INTERNAL WEIGHT BAR KIT
  - No. 00407020 GOAL LOCKS
  - No. 00418080 SOCCER NET TIE-DOWN STAKES

- PAGE No.**
- R-417
  - R-441S
  - R-413
  - R-407
  - R-418



- SOCCER GOAL (PAIR) PORTABLE, LESS NET (See Chart for Goal Numbers)
- SOCCER NET (PAIR) (See Chart for Net Numbers)

SEE PAGE No. R-490 FOR SOCCER NET INFORMATION

# SPECIFICATIONS

## PORTER No. 441xxx2 YOUTH SOCCER GOALS LESS NET PORTABLE (ONE PAIR)

Inside measurements of goal opening shall be as shown in chart below (A and B):

GOAL No.	A INSIDE HEIGHT	B INSIDE WIDTH	Net No.	D Overall Depth
<b>4414062</b>	4'	6'	4904063	3'-6"
<b>4414092</b>	4'-6"	9'	4904093	3'-6"
<b>4416122</b>	6'-6"	12'	4906125	5'
<b>4416182</b>	6'-6"	18'-6"	4906185	5'
<b>4417212</b>	7'	21'	4907215	5'

Goal crossbar and posts shall be of round steel tubing, 1-7/8" in diameter. Crossbar shall sleeve over posts, and be secured with set screws for ease of assembly or compact disassembly for seasonal storage. Crossbar and posts shall be provided in a durable, official white powder-coated finish.

Backstays shall be fabricated from 1-7/8" O.D. galvanized steel tubing, and shall be secured to the uprights with mounting studs that are integral to the uprights. Sideframes shall be of a unitized design (post and backstay, assembled in-field).

Spreaders shall be 1-7/8" in diameter and shall be secured to soccer goal backstays with special tee fittings for maximum strength and stability. Spreader tubes and tee fittings shall be finished in a durable galvanized finish.

Goals are furnished complete with an auger-type anchor system (set of four), to attach to the backstays and secure the soccer goals in position. Each anchor shall consist of an auger-type ground anchor, backstay clamp fitting, 12" long chain, and padlock. Auger ground anchor shall screw into grass-type playing fields to a 14" depth to provide excellent grip capabilities.

- See Page No. R-490 for specifications on No. 490xxxx Soccer Net (Pair).

### OPTIONAL ITEMS TO SPECIFY

- See Page No. R-417 for specifications on Porter No. 00417080 Seasonal Anchor System (Set of Eight).
- See Page No. R-413 for specifications on Porter No. 00413040 Internal Weight Bar Kit (Set of Four).
- See Page No. R-407 for specifications on Porter No. 00407020 Soccer Goal Locks (Set of Two).
- See Page No. R-418 for specifications on Porter No. 00418080 Soccer Net Tie-Down Stakes (Set of Eight).