

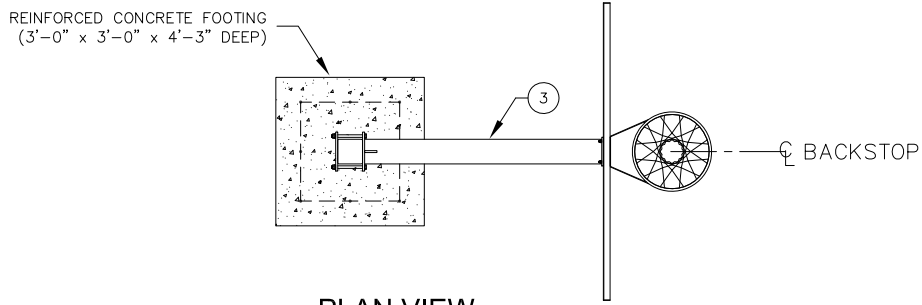
REVISION	DATE	PORTER No.
1	08/23/11	
2		
3		
4		
5		
6		
7		
8		
9		
10		
11		
12		
13		

00195-580
5' EXTENDED HEAVY-DUTY OUTDOOR BACKSTOP FOR RECTANGULAR BACKBOARD

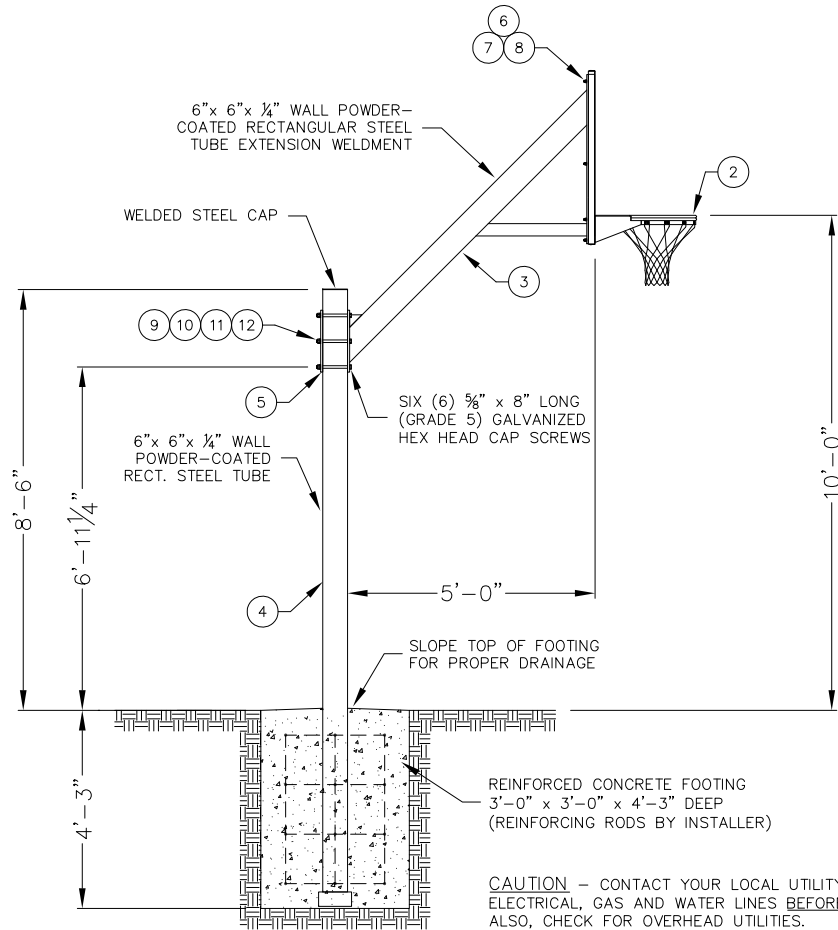
Porter
 WORLD LEADER
 IN QUALITY SPORTS EQUIPMENT
 2500 S. 25th AVENUE
 BROADVIEW, ILLINOIS 60155
 www.porter-ath.com

DRAWING BY TJK
 CHECKED BY ES
 PAGE No. R-195

© COPYRIGHT 2001 PORTER ATHLETIC EQUIPMENT CO. ALL RIGHTS RESERVED.
 DATE 7-1-2001

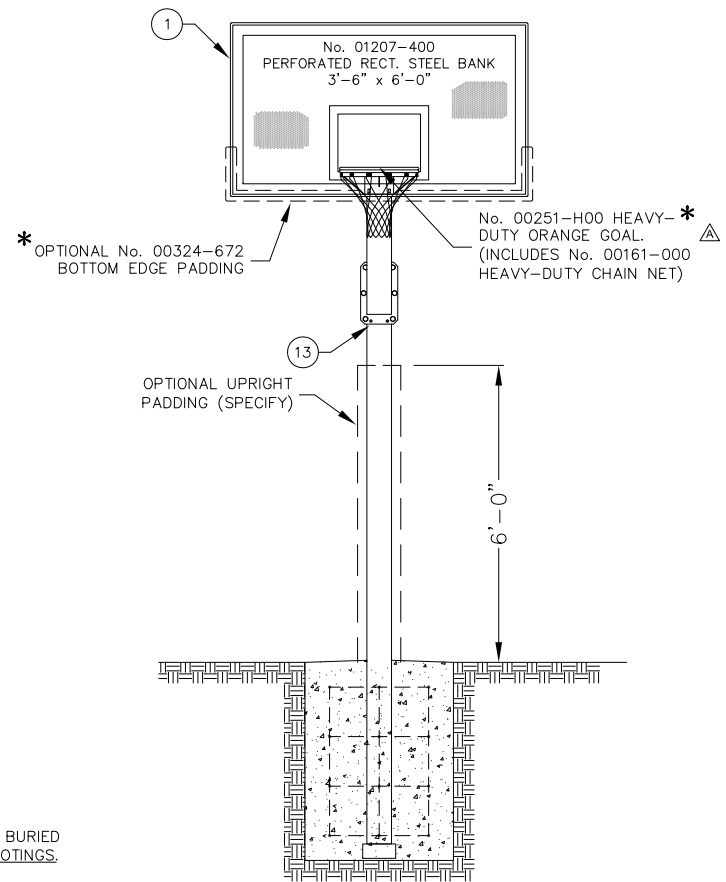


PLAN VIEW



CAUTION - CONTACT YOUR LOCAL UTILITY COMPANIES TO LOCATE BURIED ELECTRICAL, GAS AND WATER LINES BEFORE DIGGING HOLES FOR FOOTINGS. ALSO, CHECK FOR OVERHEAD UTILITIES.

PARTS LIST		
No.	QTY.	DESCRIPTION
1	1	01207-400 PERFORATED STEEL BACKBOARD
2	1	00251-H00 HEAVY DUTY GOAL (ORANGE)
3	1	FRME 00348 002 EXTENSION ARM
4	1	FRME 00349 002 UPRIGHT WITH WELDED CAP
5	1	PLTE 00250 002 MOUNTING/BACK-UP PLATE
6	4	HDWE 02073 0P0 3/8" x 1-1/4" LG. CARRIAGE BOLT
7	4	HDWE 04002 0E0 3/8" LOCKWASHER
8	4	HDWE 03002 0E0 3/8" HEX NUT
9	6	HDWE 01199 0P0 5/8" x 8" LG. H.H. CAP SCREW (GRADE 5)
10	6	HDWE 04006 0E0 5/8" LOCKWASHER
11	6	HDWE 03012 0E0 5/8" HEX NUT
12	6	HDWE 03081 0E0 5/8" LOCKING CAP NUT
13	2	HDWE 58140 0E0 3/8" x 1-1/16" LG. DRIVE RIVET



- 00195-580 5' EXTENDED BACKSTOP WITH No. 01207-400 PERFORATED STEEL BACKBOARD AND No. 00251-H00 HEAVY-DUTY GOAL
- See B-324-72 - 00324-672 BACKBOARD PADDING KIT - BLACK (EACH)
- See R-9532-9 - 09532-912 UPRIGHT PROTECTIVE PADDING - BLACK (EACH)

* SEE SEPARATE DRAWING AND SPECIFICATION SHEETS

SPECIFICATIONS

PORTER No. 00195-580 – 5' EXTENDED SINGLE POST BACKSTOP WITH RECTANGULAR PERFORATED STEEL BACKBOARD AND HEAVY-DUTY GOAL

Face of backboard shall be 5'-0" (1.52m) extended from the front of the 6" (15.2cm) square upright support.

The 6" (15.2cm) square upright support shall be fabricated from a heavy 1/4" (6.35mm) wall structural tube with a fully-welded weather-proof cap enclosure on the top end. Upright shall extend 4'-0" (1.2m) into concrete footing per drawing detail. Upright shall be finished in a durable black, powder-coated weather-resistant finish after final fabrication.

Extension support shall be fabricated from a 6" (15.2cm) square, 1/4" (6.35mm) wall structural tube extending from the upright support at a 45° angle at a point exceeding 7'-0" (2.13m) above the playing surface. Frame shall be a fully-welded unitized unit with a 1/2" x 9" x 14" (12.7mm x 22.86cm x 35.56cm) steel plate for securing to upright support with six 5/8" diameter Grade 5, plated steel machine bolts. Upper end of frame shall be furnished with a 3/8" x 7" x 3'-5" (9.52mm x 17.78cm x 1.04m) steel plate for securing to backside of backboard, designed to furnish a direct-mount type goal attachment, to eliminate undue strain on the backboard. Frame shall be further reinforced by a 3" (7.62cm) square x 1/4" (6.35mm) wall horizontal brace tube extending to the center of the goal mounting hole pattern for maximum support. Extension support shall be finished in a durable black, powder-coated weather-resistant finish after final fabrication.

Backboard shall be official size 3'-6" x 6'-0" (1.07m x 1.93m) with a heavy, unitized rear frame fabricated from heavy-wall rectangular steel tubing. Center of frame shall be provided with a heavy 7" (17.78cm) wide x 7 gauge formed steel channel for supporting backboard directly to the extension support frame. Goal mounting area shall be reinforced by horizontal and vertical framing members to minimize undue loading on the perforated steel face section during slam-dunks, etc. Entire unitized frame structure shall be powder-coated in a durable, neutral gray, weather-resistant finish before final fabrication.

Face of backboard shall be fabricated from heavy, 11-gauge steel sheet with 1-1/2" (3.81cm) deep formed perimeter flanges. Perforations shall be 1/4" (6.35mm) in diameter, spaced on 1/2" (1.27cm) diagonal centers to allow a 23% open area to minimize wind resistance. Perforated areas shall be located to outline a 3" (7.62cm) wide perimeter and an official 24" (60.96cm) wide target area. Formed flanges of face section shall be secured to rear, unitized frame with truss head-type rivets. Formed face section shall be powder-coated in a durable white, weather-resistant finish before assembly to rear framework. Face of backboard to be silk-screened with orange perimeter and target area markings.

No. 00251-H00 goal shall be designed with a double rim, continuous net support and heavy-duty side and center support gusset plates for the ultimate in strength and durability for parks and playgrounds.

Double rim design shall be formed to an official 18" (45.72cm) inside diameter with 5/8" (1.58cm) diameter solid cold rolled steel bars. Rims shall be further supported by a continuous 3/16" x 1" (4.76mm x 2.54cm) steel net tie strip. Net support strip shall be precision die-cut with twelve net attachment openings to eliminate breakage associated with conventional type wire formed net tie clips.

Rims shall be supported by a heavy mounting backplate with formed side plates tangentially connecting into the net support strip for maximum strength. Center reinforcing steel gusset shall provide additional rim support. Mounting backplate shall be slotted to provide universal mounting centers from 5" x 5" (12.7cm x 12.7cm) to 5" x 4" (12.7cm x 10.2cm).

Goal finished in a durable orange powder-coat finish. Goal furnished complete with Grade 5 carriage bolts, mounting hardware and heavy-duty chain net.

Goal covered by an unconditional lifetime warranty.

OPTIONAL ITEMS TO SPECIFY

- See Page No. B-324-72 for specifications on Porter No. 00324-672 Backboard Padding.