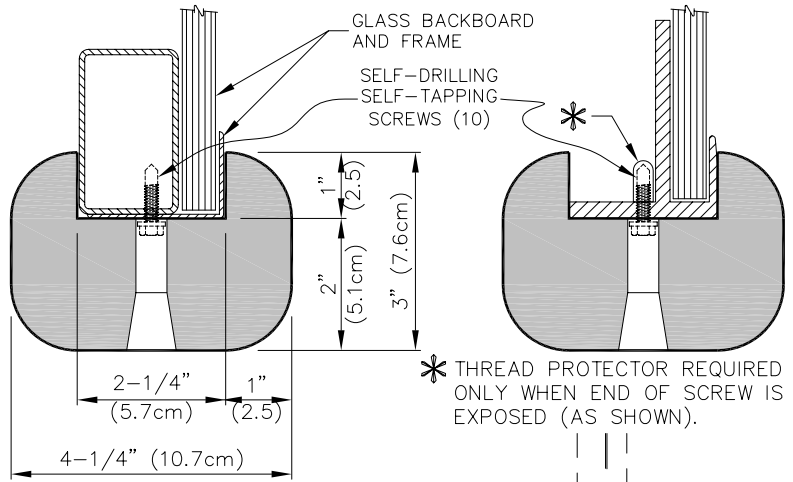
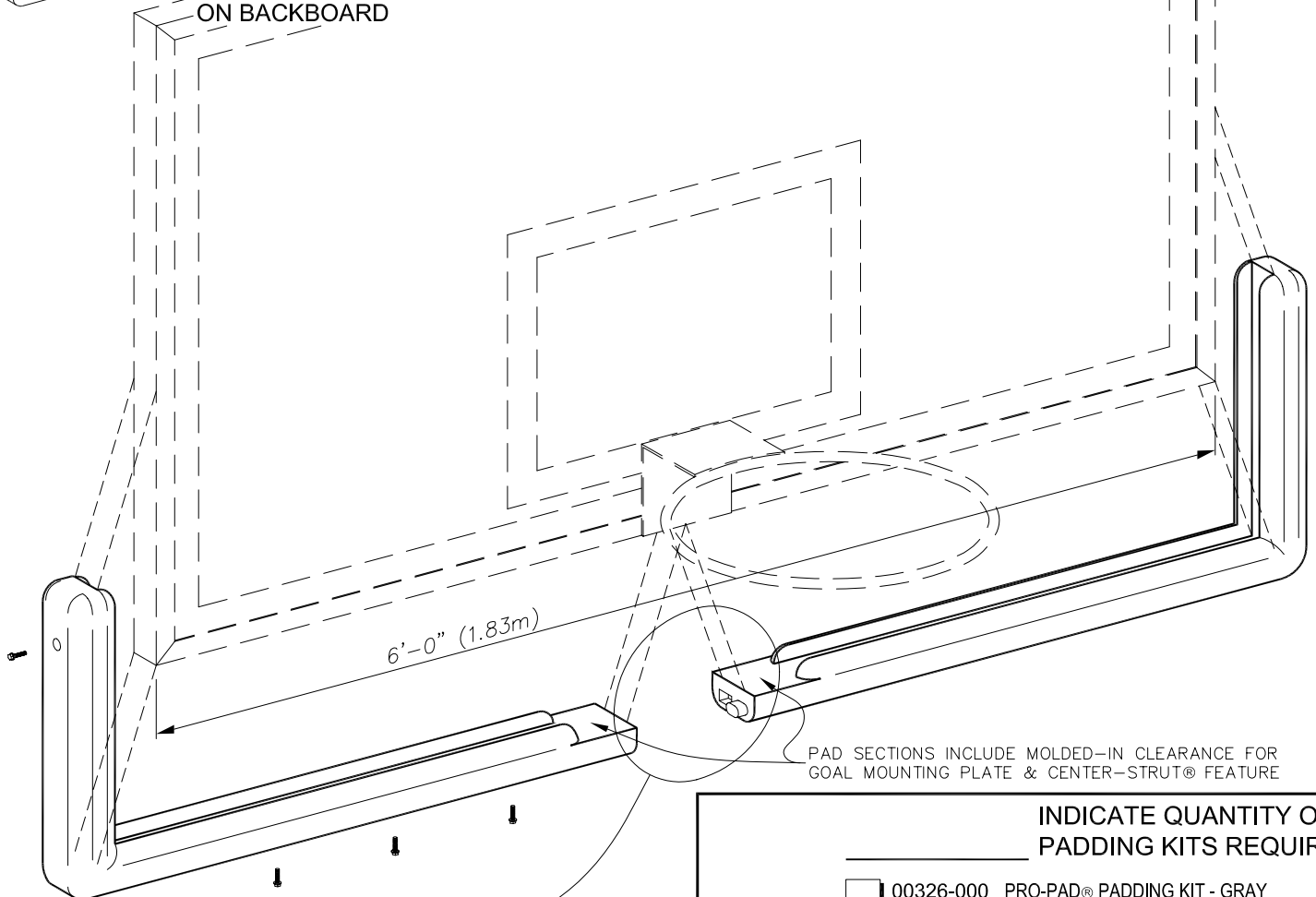


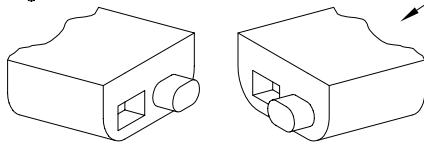
PAD INSTALLED ON BACKBOARD



SECTION THRU INSTALLED PAD



PAD SECTIONS INCLUDE MOLDED-IN CLEARANCE FOR GOAL MOUNTING PLATE & CENTER-STRUT® FEATURE



PAD SECTIONS ARE SELF-ALIGNING WITH MOLDED-IN INTERLOCKING JOINTS

INDICATE QUANTITY OF PADDING KITS REQUIRED

- SELECT COLOR
- 00326-000 PRO-PAD® PADDING KIT - GRAY
 - 00326-100 PRO-PAD® PADDING KIT - SCARLET
 - 00326-200 PRO-PAD® PADDING KIT - ROYAL
 - 00326-210 PRO-PAD® PADDING KIT - NAVY
 - 00326-300 PRO-PAD® PADDING KIT - KELLY
 - 00326-310 PRO-PAD® PADDING KIT - FOREST GREEN
 - 00326-400 PRO-PAD® PADDING KIT - MAROON
 - 00326-500 PRO-PAD® PADDING KIT - ORANGE
 - 00326-600 PRO-PAD® PADDING KIT - BLACK
 - 00326-700 PRO-PAD® PADDING KIT - PURPLE
 - 00326-800 PRO-PAD® PADDING KIT - GOLD

REVISION	DATE	Porter® No.
△ Revise Mounting Holes	10-1-00	
△ Add -210, -310	11-1-02	CUSTOMER No.
△		
© COPYRIGHT 1997 PORTER ATHLETIC EQUIPMENT CO. ALL RIGHTS RESERVED	DATE	
	6-1-1997	

00326-__0
 PRO-PAD® RECTANGULAR BACKBOARD PADDING KITS

THIS PRINT IS THE PROPERTY OF PORTER ATHLETIC EQUIPMENT COMPANY AND MAY NOT BE REPRODUCED WITHOUT WRITTEN PERMISSION

porter®
 WORLD LEADER
 IN QUALITY SPORTS EQUIPMENT
 2500 S. 25th AVENUE
 BROADVIEW, ILLINOIS 60155
 www.porter-ath.com

DRAWING BY RJM
CHECKED BY EAS
PAGE No. B-326

SPECIFICATIONS

PORTER No. 00326- 0 PRO-PAD® BACKBOARD PADDING KIT FOR OFFICIAL RECTANGULAR BACKBOARDS (EACH)

Pad shall fit any official size (72" wide) glass backboard. Pad shall consist of two pieces with molded type square corners for maximum safety, appearance and durability. Pads shall be molded from Polyurethane Foam (9 lb. density) with integral skin (self-skinning). Extremely durable skin minimizes the possibility of cracks and tears as on traditional extruded type pads. Pad is provided in colors as listed on chart below.

A positive, bolt-on type attachment system shall be provided to eliminate glue or peel and stick tape type attachment methods. Pad sections are provided with internal, molded in steel attachment channel sections, which are secured to the backboard with special self-drilling, self-tapping attachment hardware provided in kit. Pad sections shall include molded-in clearance for goal mounting plate and center-strut® feature, eliminating cutting in-field.

Pad meets all competition requirements of the NBA, NCAA, NFHS, and international requirements of FIBA.

Pad is furnished with a limited 3-year warranty.

COLORS AVAILABLE	ITEM No.
GRAY	00326-000
SCARLET	00326-100
ROYAL	00326-200
NAVY	00326-210
KELLY	00326-300
FOREST GREEN	00326-310
MAROON	00326-400
ORANGE	00326-500
BLACK	00326-600
PURPLE	00326-700
GOLD	00326-800