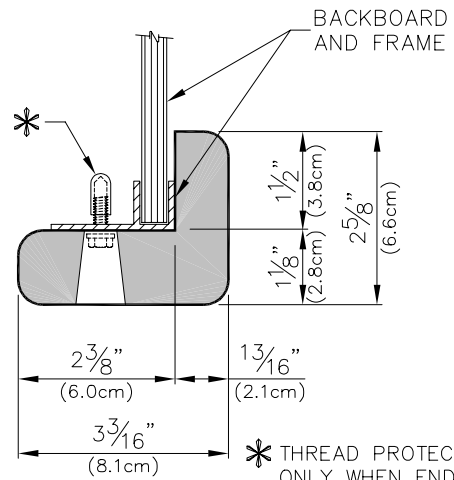
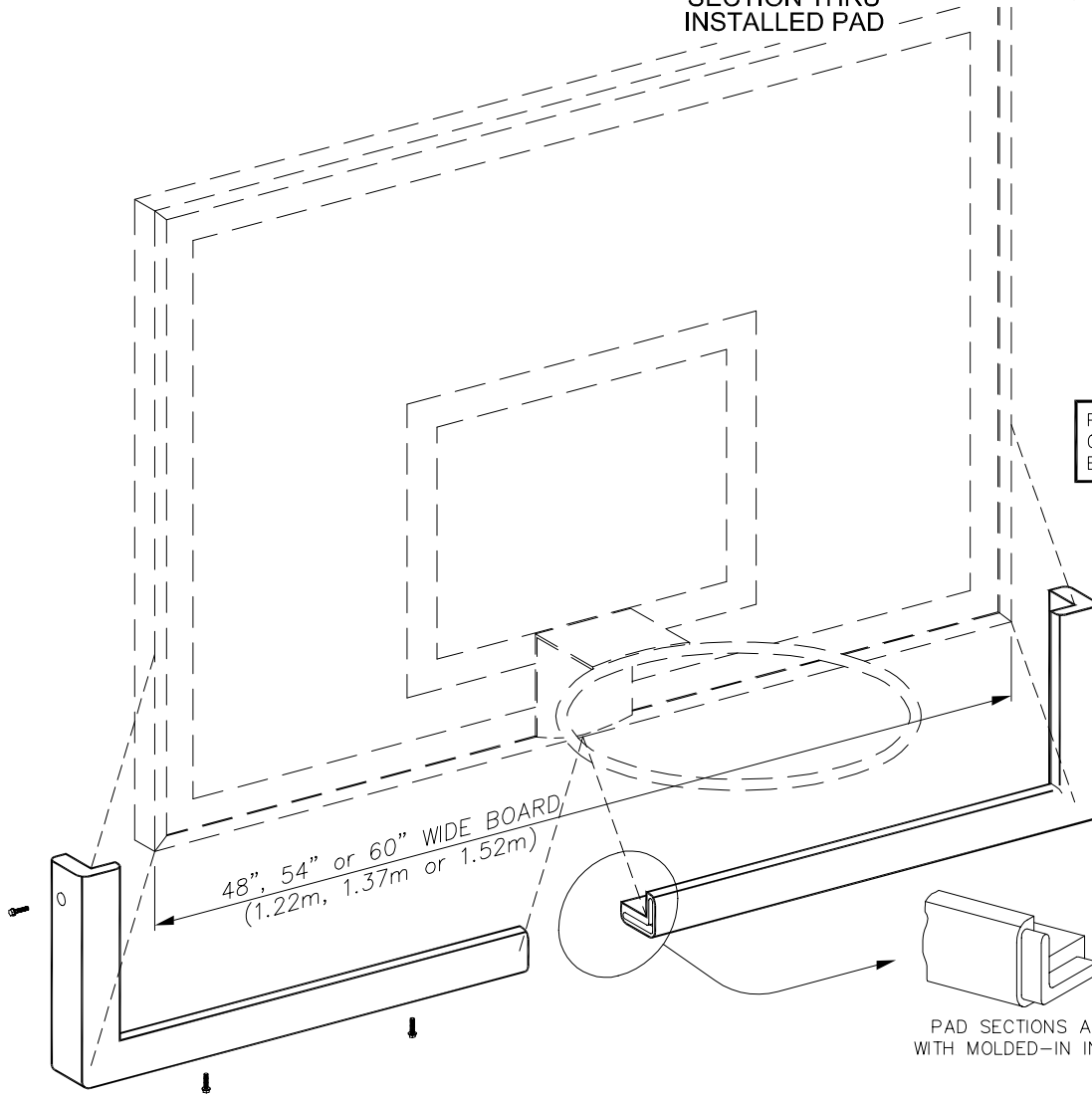


PAD SHOWN INSTALLED ON 54" WIDE BACKBOARD



* THREAD PROTECTOR REQUIRED ONLY WHEN END OF SCREW IS EXPOSED (AS SHOWN).

SECTION THRU INSTALLED PAD



PADDING AVAILABLE ONLY IN UV STABILIZED BLACK MATERIAL

PAD SECTIONS ARE SELF-ALIGNING WITH MOLDED-IN INTERLOCKING JOINTS

- _____ — 00324-648 RECREATIONAL/OUTDOOR BACKBOARD PADDING KIT (EACH) FOR 48" WIDE BACKBOARDS
- _____ — 00324-654 RECREATIONAL/OUTDOOR BACKBOARD PADDING KIT (EACH) FOR 54" WIDE BACKBOARDS
- _____ — 00324-660 RECREATIONAL/OUTDOOR BACKBOARD PADDING KIT (EACH) FOR 60" WIDE BACKBOARDS

REVISION	DATE	Porter No.
Remove Inserts	2-1-2003	
		CUSTOMER No.
DATE	6-1-1997	

00324-_____
RECREATIONAL / OUTDOOR BACKBOARD PADDING KITS

THIS PRINT IS THE PROPERTY OF PORTER ATHLETIC EQUIPMENT COMPANY AND MAY NOT BE REPRODUCED WITHOUT WRITTEN PERMISSION

porter[®]
 WORLD LEADER
 IN QUALITY SPORTS EQUIPMENT
 2500 S. 25th AVENUE
 BROADVIEW, ILLINOIS 60155
 www.porter-ath.com

DRAWING BY RJM
CHECKED BY ES
PAGE No. B-324-48

SPECIFICATIONS

PORTER No. 00324- **RECREATIONAL/OUTDOOR BACKBOARD PADDING KIT (EACH)**

Pads shall be molded from black, self-skinning type Urethane Foam for a tough, UV resistant exterior skin. Pads shall be molded as a matched pair with self-aligning, interlocking extension sections as required to fit 48", 54" and 60" wide backboards (see chart below for item number). Pads shall be molded in an L-shape (cross section) to provide for proper drainage for outdoor usage.

Bolt-on feature shall be provided by steel inserts at the mounting locations which provide strength and stiffness, and special self-drilling, self-tapping type hardware which is easily secured to the backboard frame by means of a portable drill.

BACKBOARD WIDTH	ITEM No.
48" (1.22m)	00324-648
54" (1.37m)	00324-654
60" (1.52m)	00324-660