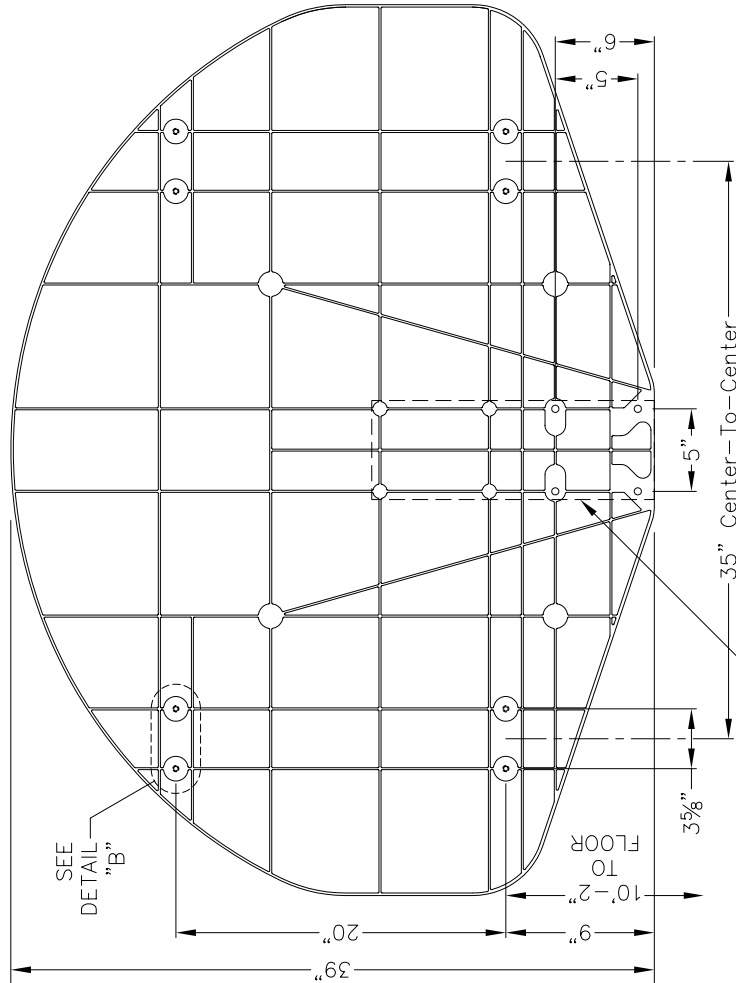


2" WIDE ORANGE PERIMETER AND TARGET AREA STRIPING



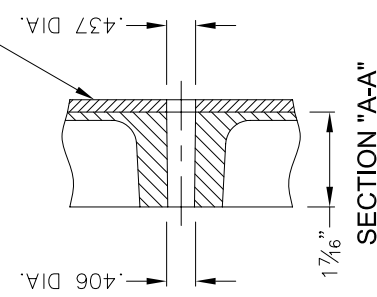
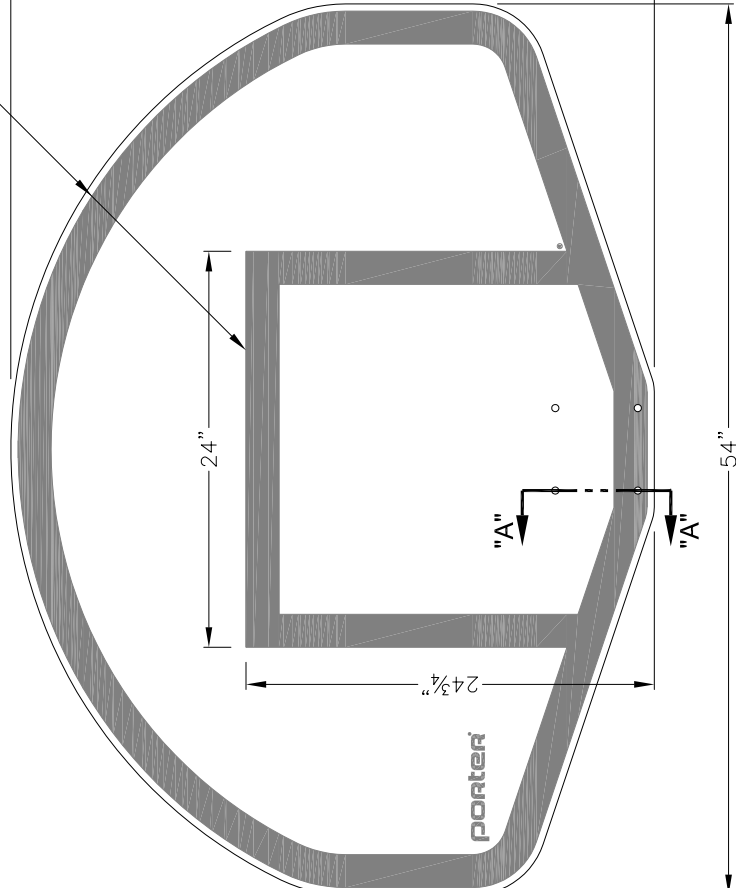
SEE DETAIL "B"

FLOOR TO

BACK OF BACKBOARD

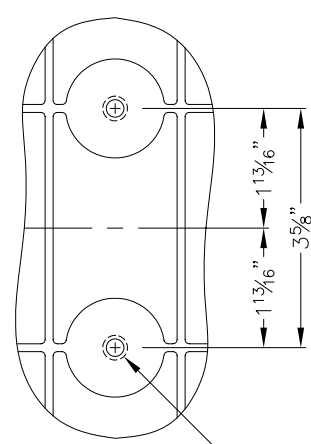
3/16" x 6" x 17/8" Lg. REINFORCING BACKING PLATE AT CENTER (No. 00267-000 ONLY)

FRONT OF BACKBOARD



SECTION "A-A"

3/8-16 TAPPED MOUNTING HOLES - (8) PLACES AS SHOWN



DETAIL "B"

TYPICAL AT (4) LOCATIONS

- 00267-000 FAN SHAPED BACKBOARD - MOLDED FIBERGLASS
- 00267-698 FAN SHAPED BACKBOARD - MOLDED FIBERGLASS LESS BACKING PLATE

REVISION	DATE	porter No.
		CUSTOMER No.
© COPYRIGHT 1983 PORTER ATHLETIC EQUIPMENT CO. ALL RIGHTS RESERVED	DATE	
	5-20-1983	

00267-000 and 00267-698
FAN-SHAPED BACKBOARDS
MOLDED FIBERGLASS

THIS PRINT IS THE PROPERTY OF PORTER ATHLETIC EQUIPMENT COMPANY AND MAY NOT BE REPRODUCED WITHOUT WRITTEN PERMISSION

porter[®]
 WORLD LEADER
 IN QUALITY SPORTS EQUIPMENT
 2500 S. 25th AVENUE
 BROADVIEW, ILLINOIS 60155
 www.porter-ath.com

DRAWING BY	RJM
CHECKED BY	EAS
PAGE No.	B-267

SPECIFICATIONS

PORTER No. 00267-000 FAN FIBERGLASS BACKBOARD

Molded fiberglass board shall be official size (54" x 39") and shape, with orange perimeter and target area markings. Perimeter flange and structural rib pattern shall be 1-1/2" deep. Tensile strength of board shall be 8,900 - 11,700 PSI with a 23% to 27% fiberglass content by weight. Goal mounting shall be reinforced with a 3/16" x 6" wide plated steel plate secured to backside of board. Eight (8) 3/8-16 stainless steel threaded inserts shall be molded into backside of backboard at standard mounting centers. Use with Porter Model No. 00201-H00 Goal.

PORTER No. 00267-698 FAN FIBERGLASS BACKBOARD

Same as No. 00267-000 above, except without 3/16" x 6" steel plate at goal mounting area.