

REVISION	DATE	PORTER No.
0051-000	08/23/11	
1	Original Net	6-1-00
2	Net Openings	6-1-02
3	Change to 12-1-02	
4	Change to 10-11-1995	

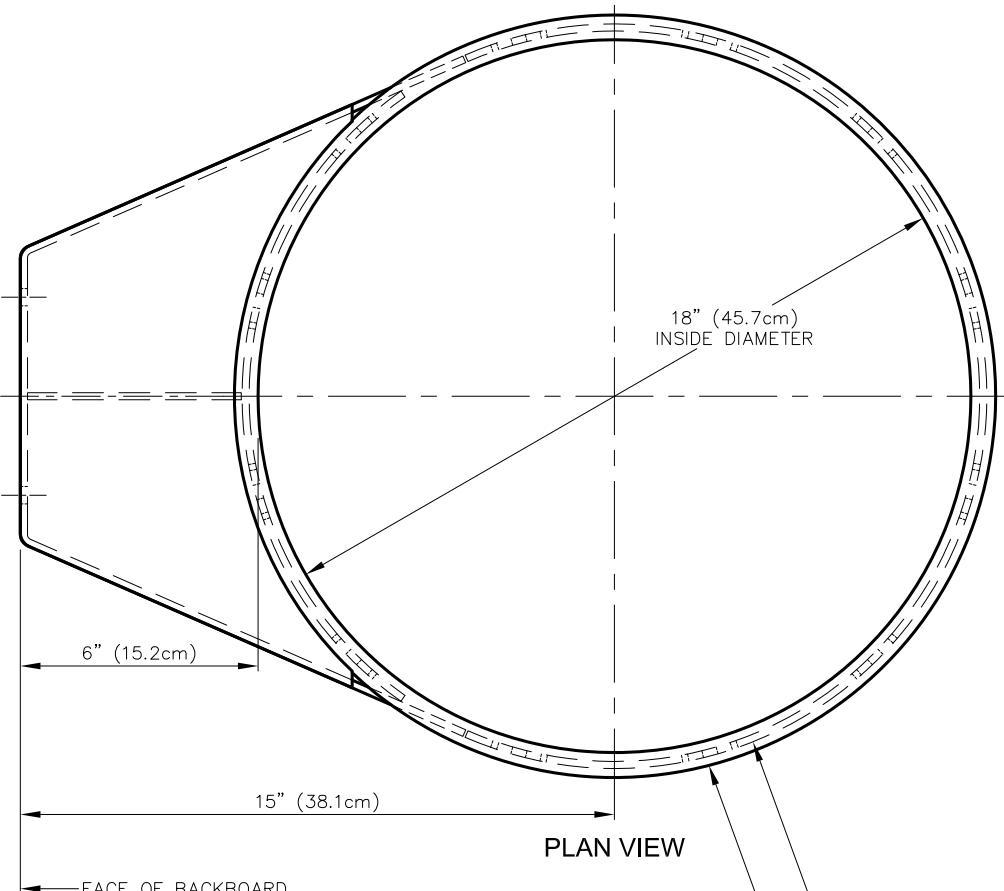
REVISION	DATE	PORTER No.
0051-000	08/23/11	
1	Original Net	6-1-00
2	Net Openings	6-1-02
3	Change to 12-1-02	
4	Change to 10-11-1995	

00251-H00
HEAVY-DUTY GOAL
 with MOUNTING HARDWARE and CHAIN NET

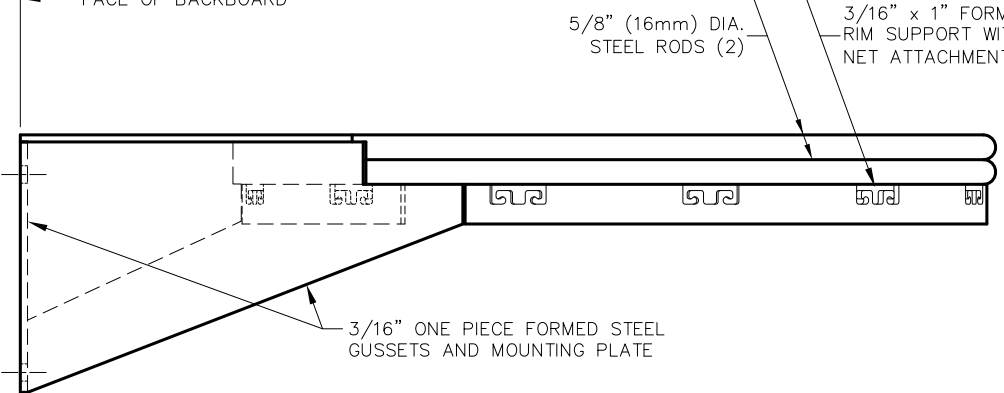
THIS PRINT IS THE PROPERTY OF PORTER ATHLETIC EQUIPMENT COMPANY AND MAY NOT BE REPRODUCED WITHOUT WRITTEN PERMISSION

Porter
 WORLD LEADER
 IN QUALITY SPORTS EQUIPMENT
 2500 S. 25th AVENUE
 BROADVIEW, ILLINOIS 60155
 www.porter-ath.com

DRAWING BY	RJM
CHECKED BY	EAS
PAGE No.	B-251

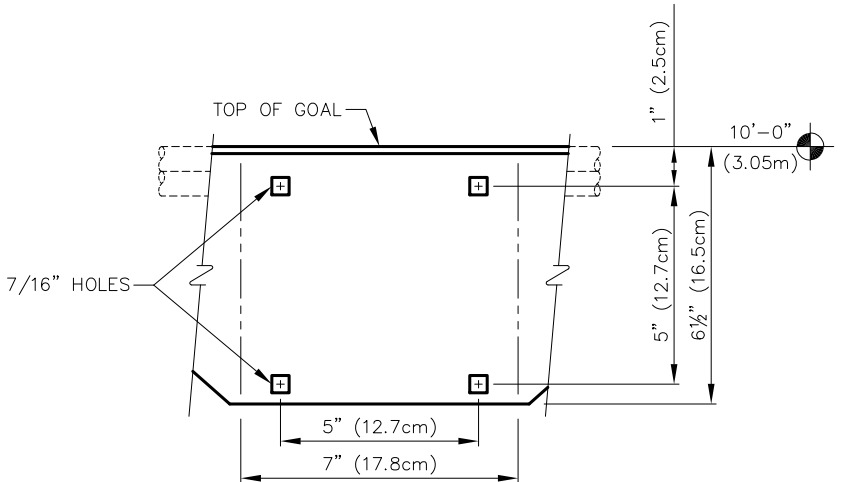


PLAN VIEW

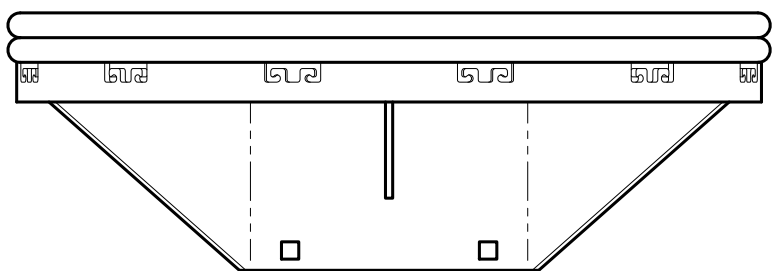


SIDE VIEW

PARTS LIST		
No.	QTY.	DESCRIPTION
1	1	GOAL 00058 107 GOAL - Orange
2	1	00161-000 CHAIN NET (Not Shown)
3	4	HDWE 02040 0EO 3/8" x 3 1/2" Lg. CARRIAGE BOLT (Grade 5)
4	4	HDWE 05004 0EO 3/8" FLATWASHER
5	4	HDWE 04002 0EO 3/8" LOCKWASHER
6	4	HDWE 03002 0EO 3/8" HEX NUT
7	4	PCAP 00040 002 THREAD PROTECTOR



GOAL MOUNTING PLATE DETAIL
 (VIEW FROM BACKSIDE)



FRONT VIEW

00251-H00 HEAVY-DUTY GOAL - POWDER-COAT ORANGE

PATENT No. 6,503,160.
 OTHER PATENTS PENDING.

SPECIFICATIONS

PORTER No. 00251-H00 HEAVY-DUTY PLAYGROUND GOAL **(PATENT No. 6,503,160 – OTHER PATENTS PENDING)**

Goal shall be designed with a double rim, continuous net support and heavy-duty side and center support gusset plates for the ultimate in strength and durability for parks and playgrounds.

Double rim design shall be formed to an official 18" inside diameter with 5/8" diameter solid cold rolled steel bars. Rims shall be further supported by a continuous 3/16" x 1" steel net tie strip. Net support strip shall be precision die cut with twelve net attachment openings to eliminate breakage associated with conventional type wire formed net tie clips.

Rims shall be supported by a heavy mounting backplate with formed side plates tangentially connecting into the net support strip for maximum strength. Center reinforcing steel gusset shall provide additional rim support. Mounting backplate shall provide mounting centers of 5" x 5" (12.7cm x 12.7cm).

Goal finished in a durable orange powder-coat finish.

Goal furnished complete with Grade 5 carriage bolts, mounting hardware and heavy-duty chain net.

Goal covered by an unconditional lifetime warranty.