

REVISION	DATE	PORTER No.
Change to Grade 5 Bolts	10-1-01	CUSTOMER No.
Original	6-1-00	PORTER No.

© COPYRIGHT 1984 PORTER ATHLETIC EQUIPMENT CO. ALL RIGHTS RESERVED.

DATE 11-1-1984

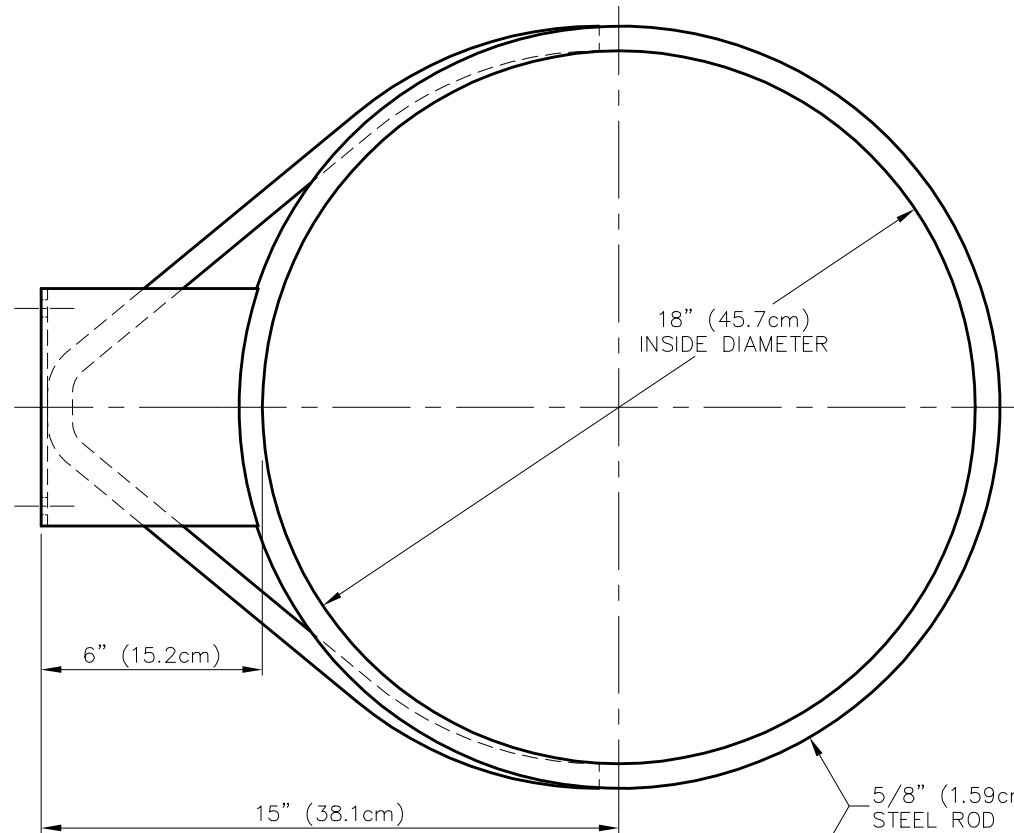
00135-H00 and 00235-000
HIGH-STRENGTH GOAL (SUPER GOAL)
with MOUNTING HARDWARE and NET

THIS PRINT IS THE PROPERTY OF PORTER ATHLETIC EQUIPMENT COMPANY AND MAY NOT BE REPRODUCED WITHOUT WRITTEN PERMISSION

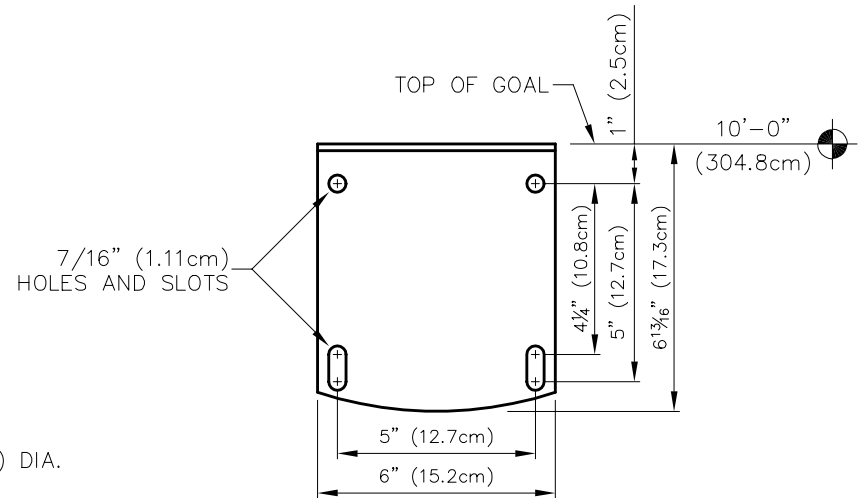
Porter
 WORLD LEADER
 IN QUALITY SPORTS EQUIPMENT
 2500 S. 25th AVENUE
 BROADVIEW, ILLINOIS 60155
 www.porter-ath.com

DRAWING BY RJM
 CHECKED BY EAS
 PAGE No. B-235

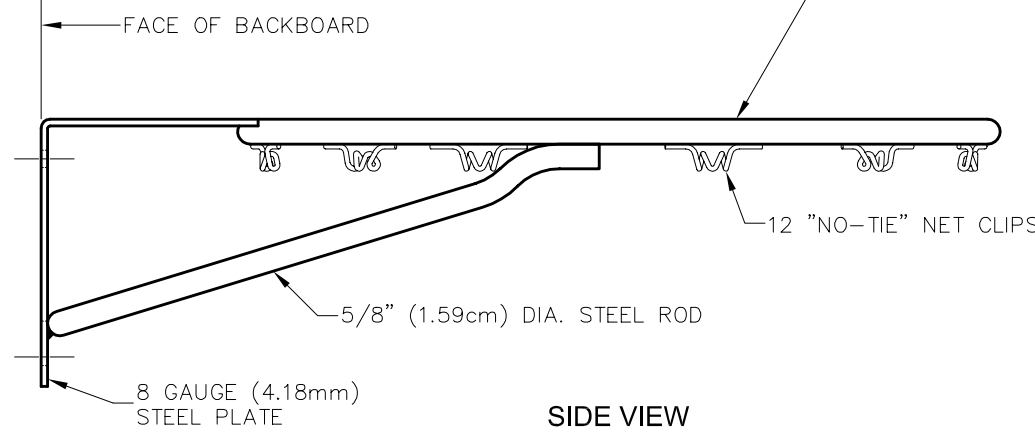
PARTS LIST			
No.	00135 H00 QTY.	00235 000 QTY.	DESCRIPTION
1	1		GOAL 00012 0E0 GOAL - Zinc Plated
1		1	GOAL 00012 007 GOAL - Orange
2	1	1	NETS 00001 000 WHITE NYLON NET (Not Shown)
3	4	4	HDWE 01217 0E0 3/8 x 3 1/2" Lg. HEX HEAD TAP BOLT (Grade 5)
4	4	4	HDWE 05004 0E0 3/8" FLATWASHER
5	4	4	HDWE 04002 0E0 3/8" LOCKWASHER
6	4	4	HDWE 03002 0E0 3/8" HEX NUT
7	4	4	PCAP 00040 002 THREAD PROTECTOR



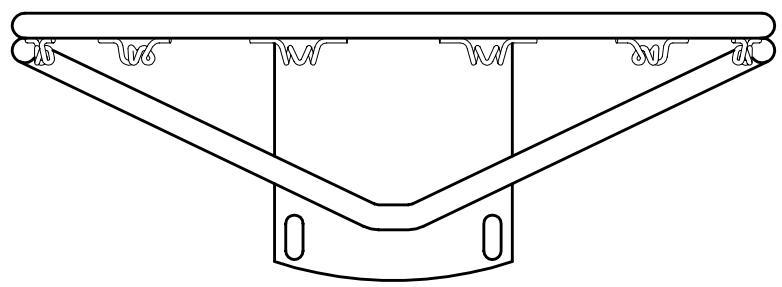
PLAN VIEW



GOAL MOUNTING PLATE DETAIL



SIDE VIEW



FRONT VIEW

- 00135-H00 HIGH-STRENGTH GOAL (SUPER GOAL) - ZINC PLATED
- 00235-000 HIGH-STRENGTH GOAL (SUPER GOAL) - POWDER-COAT ORANGE

SPECIFICATIONS

PORTER No. 00235-000 HIGH-STRENGTH GOAL (SUPER GOAL)

Rim shall be fabricated from 5/8" diameter high strength cold drawn alloy steel round formed to an 18" inside diameter ring. Inside of ring shall be positioned 6" from face of backboard by heavy, L-shaped, formed steel mounting plate with 5" x 5" mounting hole centers for front mounting on standard glass, wood and fiberglass type backboards.

Rim shall be rigidly braced by means of a 5/8" diameter high strength cold drawn alloy steel round formed and welded in position for maximum support. Rim shall be provided with twelve "no-tie" net attachment clips for net attachment.

Goal assembly shall be capable of supporting up to an 800 pound load on outer edge of the rim and under extreme dynamic loading shall flex or deflect downward up to 2-3/4" without permanent set or deformation.

Goal shall be finished in a durable, official orange powder-coat finish.

Goal shall be furnished complete with a high quality white nylon net and plated mounting hardware. Mounting bolts shall be SAE Grade 5.

PORTER No. 00135-H00 HIGH-STRENGTH GOAL (SUPER GOAL)

Same as No. 00235-000 above, except goal is finished in a durable zinc-plated finish.