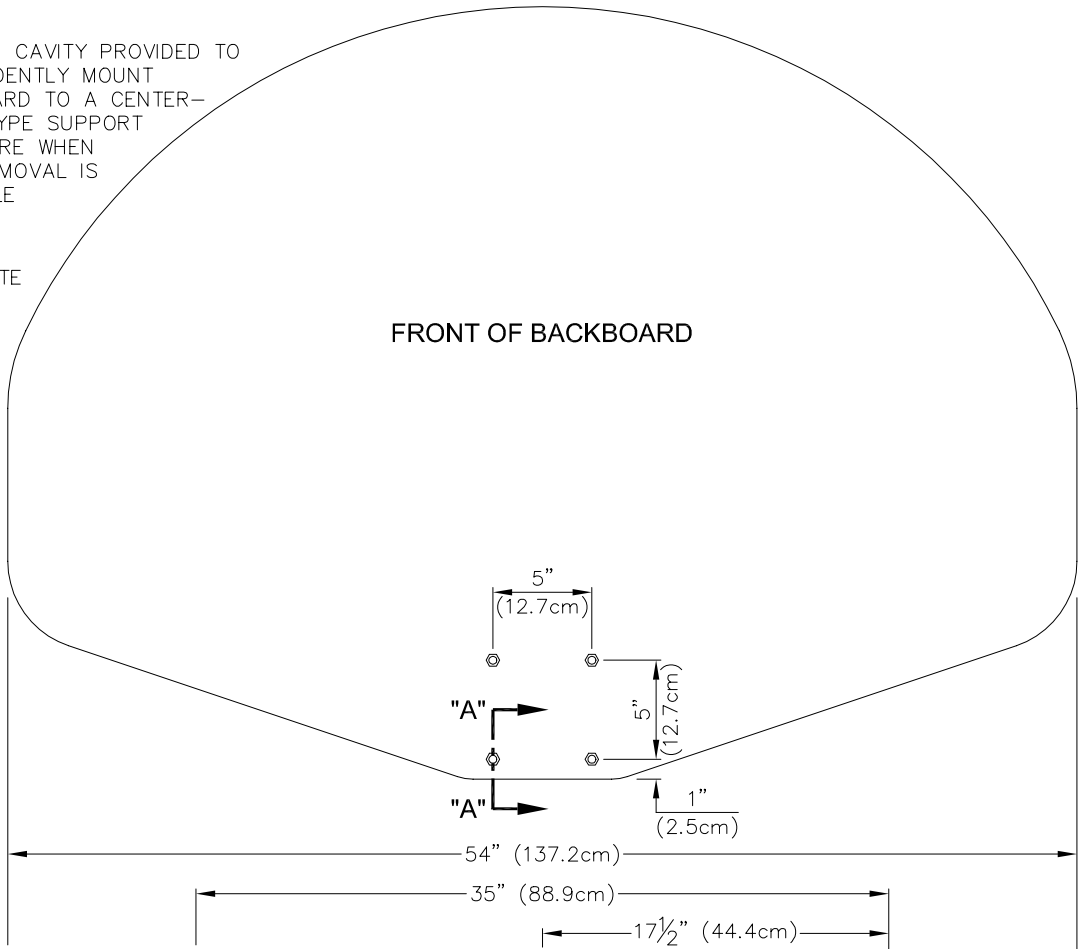


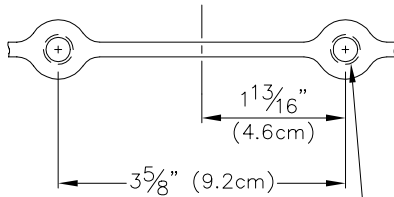
SECTION "A-A"

HEXAGON CAVITY PROVIDED TO INDEPENDENTLY MOUNT BACKBOARD TO A CENTER-STRUT TYPE SUPPORT STRUCTURE WHEN GOAL REMOVAL IS DESIRABLE

GOAL PLATE

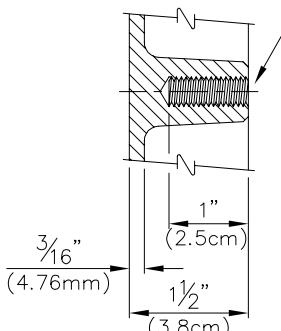


FRONT OF BACKBOARD

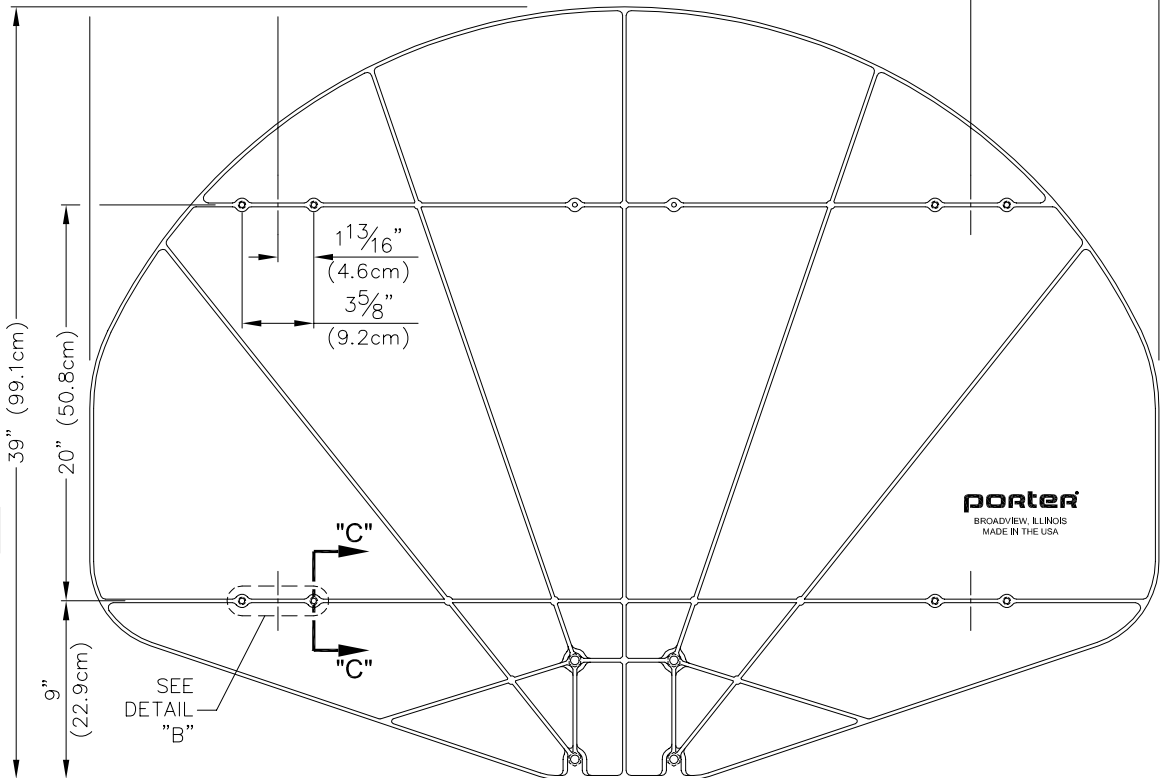


DETAIL "B"

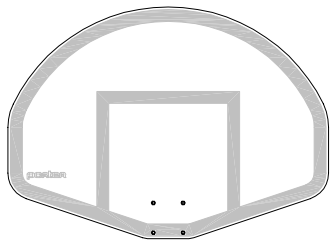
3/8-16 TAPPED MOUNTING HOLES - (8) PLACES AS SHOWN



SECTION "C-C"



BACK OF BACKBOARD



No. 00234-300 BACKBOARD SHOWN WITH PERIMETER AND TARGET AREA MARKINGS

**porter**  
BROADVIEW, ILLINOIS  
MADE IN THE USA

— 00234-000 FAN SHAPED BACKBOARD - CAST ALUMINUM

— 00234-300 FAN SHAPED BACKBOARD - CAST ALUMINUM  
WHITE with ORANGE PERIMETER and TARGET STRIPING

REVISION	DATE	porter No.
△	7-25-91	
△		CUSTOMER No.
△		DATE

© COPYRIGHT 1990 PORTER ATHLETIC EQUIPMENT CO. ALL RIGHTS RESERVED

12-1-1990

**00234-000 and 00234-300**  
FAN SHAPED BACKBOARDS  
CAST ALUMINUM

THIS PRINT IS THE PROPERTY OF PORTER ATHLETIC EQUIPMENT COMPANY AND MAY NOT BE REPRODUCED WITHOUT WRITTEN PERMISSION

**porter**  
WORLD LEADER  
IN QUALITY SPORTS EQUIPMENT  
2500 S. 25th AVENUE  
BROADVIEW, ILLINOIS 60155  
www.porter-ath.com

PATENT No. 5,207,419

DRAWING BY  
RJM  
CHECKED BY  
EAS  
PAGE No.  
**B-234**

# **SPECIFICATIONS**

## **PORTER No. 00234-000 FAN SHAPED ALUMINUM BACKBOARD**

**(PATENT No. 5,207,419)**

Cast aluminum backboard shall be official size (54" x 39") and shape. Backboard shall be cast in a permanent mold process from high tensile #319 aluminum.

Backboard shall be cast with structural reinforcing ribs on backside with a heavy, 1-1/2" deep perimeter flange to provide maximum rigidity. Backside of backboard shall be furnished with eight (8) tapped holes (3/8-16) to fit normal mounting attachments without exposed bolt heads on front face of unit.

Backboard shall be drilled for a front mount type goal (5" x 5" hole pattern) and compatible with direct mount type support structures. Goal mounting holes (4) shall be molded with an integral, hex shaped cavity located on the front side of the backboard to independently mount the backboard to a rear support structure Center-Strut® to provide the option of removing the goal for seasonal use or to prevent vandalism or unauthorized usage.

## **PORTER No. 00234-300 FAN SHAPED ALUMINUM BACKBOARD**

**(WHITE WITH STRIPING)**

**(PATENT No. 5,207,419)**

Same specification as No. 00234-000 above, with the exception that the backboard is finished in a durable, white powder-coated finish. Includes orange perimeter and target area markings.

## **WARRANTY**

No. 00234-000 and No. 00234-300 backboards are warranted against defects in material and workmanship for the life of the product.