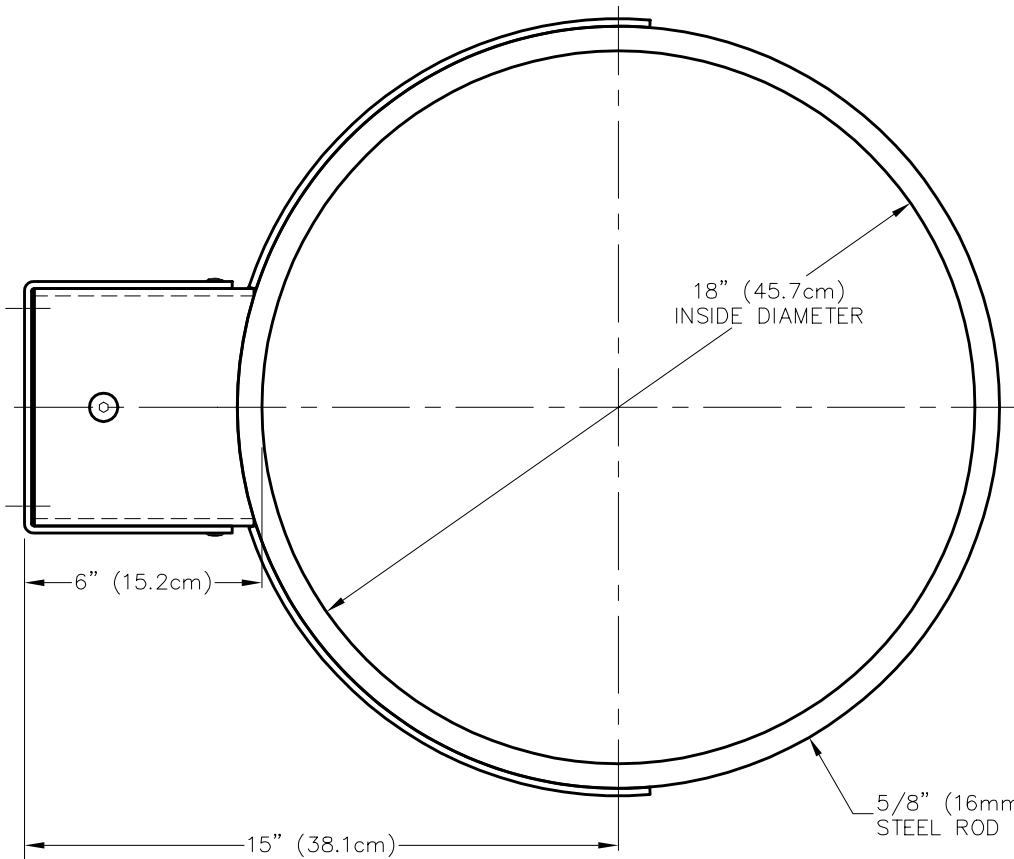
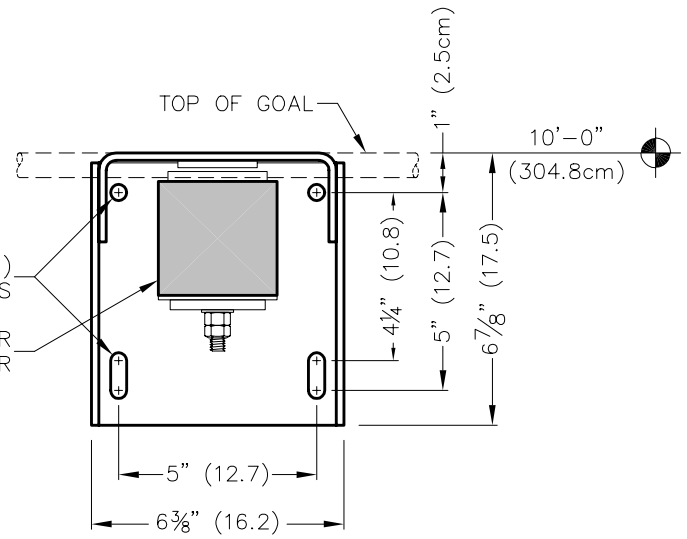


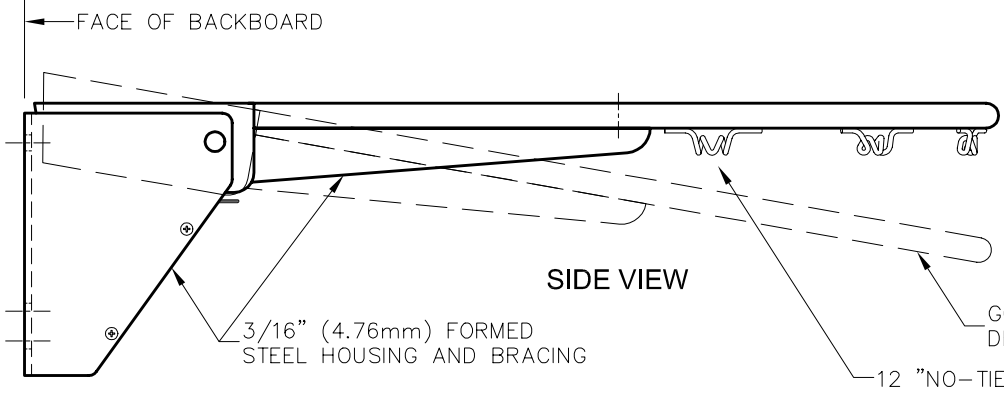
No.		QTY.		DESCRIPTION	
1	1	00233	000	GOAL ASSEMBLY	
2	1	09608	000	ANTI-WHIP NET	
3	4	HDWE 01217	0EO	3/8" x 3 1/2" Lg. HEX HEAD TAP BOLT (Grade 5)	
4	4	HDWE 05004	0EO	3/8" FLATWASHER	
5	4	HDWE 04002	0EO	3/8" LOCKWASHER	
6	4	HDWE 03002	0EO	3/8" HEX NUT	
7	4	PCAP 00040	002	THREAD PROTECTOR	



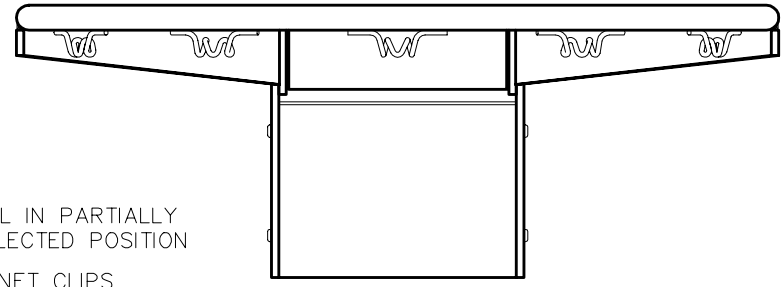
PLAN VIEW



GOAL MOUNTING PLATE DETAIL (With Cover Plate Removed)



SIDE VIEW



FRONT VIEW (With Cover Plate In Place)

REVISION	DATE	PORTER No.
Change Bldgs	10-1-01	
Grade 3 Bldgs		CUSTOMER No.
<p>00233-000 POWER-FLEX® GOAL with MOUNTING HARDWARE and NET</p> <p>WORLD LEADER IN QUALITY SPORTS EQUIPMENT</p> <p>2500 S. 25th AVENUE BROADVIEW, ILLINOIS 60155 www.porter-eq.com</p>		
CHECKED BY EAS	DRAWING BY RJM	PAGE No. B-233

© COPYRIGHT 1992 PORTER ATHLETIC EQUIPMENT CO. ALL RIGHTS RESERVED.

THIS PRINT IS THE PROPERTY OF PORTER ATHLETIC EQUIPMENT COMPANY AND MAY NOT BE REPRODUCED WITHOUT WRITTEN PERMISSION.

00233-000 POWER-FLEX® GOAL with MOUNTING HARDWARE and NET

SPECIFICATIONS

PORTER No. 00233-000 POWER-FLEX GOAL® (MOVABLE RIM)

Goal shall be designed to absorb shock loads due to slam dunking or hanging on the rim.

Shock absorption feature shall be provided by means of a special offset hinge arrangement rim and backplate mounting housing and a concealed molded rubber shock absorber. Hinge shall be positioned to place goal return impact forces in shear (parallel) to minimize oscillation induced into the face of the backboard. Shock absorber shall be molded from a special rubber formulation (spec. D-2000 ASTM 2 BC 725 B14C12F17G21) to dampen and minimize vibrations and fatigue in backboard. Front of rim shall deflect downward up to 2-1/16" when a static load of 250 pounds is applied and instantly return to playing position when load is released.

Function of goal shall meet the NCAA specification on movable rims, which states "A movable basket ring shall have rebound characteristics identical to those of a non-movable ring". Goal shall be set at factory for proper flex and rebound requirements.

Rim shall be fabricated from 5/8" diameter cold drawn alloy steel, round formed to an 18" inside diameter ring. Inside diameter of ring shall be positioned 6" from face of backboard by a heavy formed steel, hinged type housing with a removable cover to conceal mounting bolts and entire shock absorption mechanism of goal, and also protect against finger entrapment. Goal mounting plate shall be provided with hardware and a 5" x 5" mounting hole pattern for front mounting on standard glass, wood and fiberglass type backboards and is also compatible for use with all Center-Strut® direct mount type support frames.

Rim shall be rigidly braced by means of special, formed, die cut steel braces on underside for maximum support. Rim shall be provided with twelve "no-tie" net attachment clips for net attachment.

Goal shall be finished in a durable, official orange powder-coat finish.

Goal shall be furnished complete with plated mounting hardware and an anti-whip net. Mounting bolts shall be SAE Grade 5.