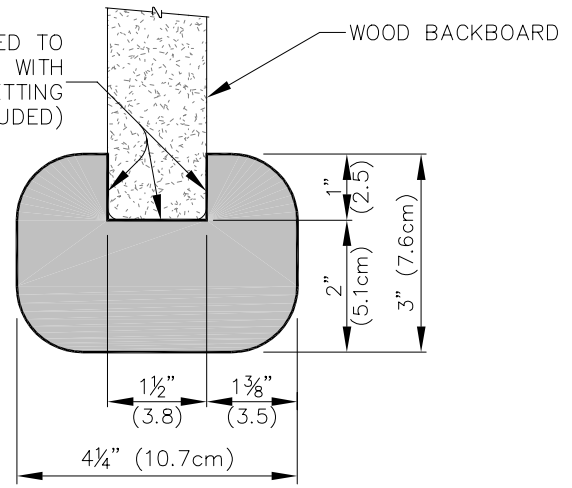
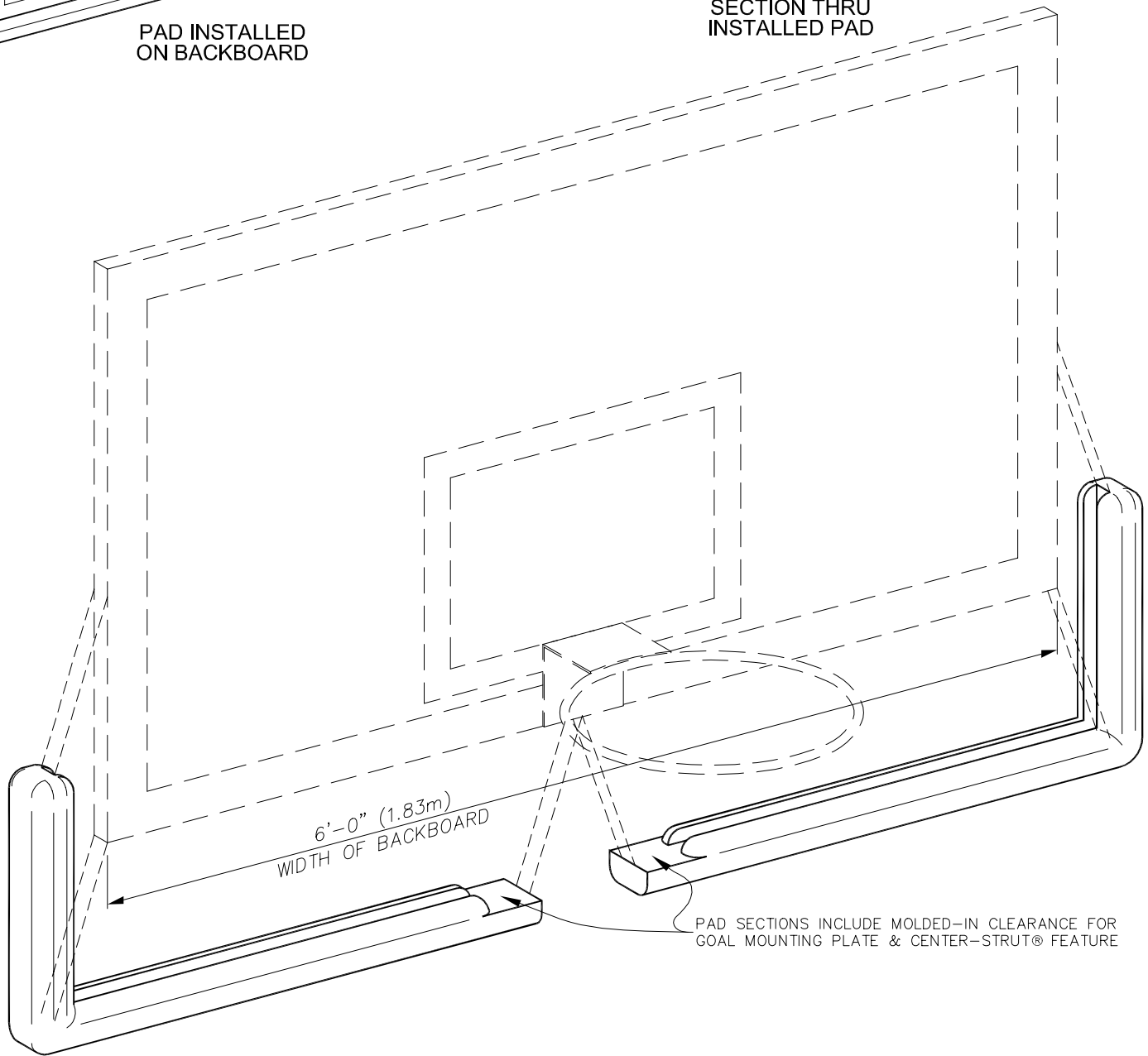


PAD INSTALLED ON BACKBOARD

PAD IS SECURED TO BACKBOARD WITH FAST-SETTING ADHESIVE (INCLUDED)



SECTION THRU INSTALLED PAD



6'-0" (1.83m)
WIDTH OF BACKBOARD

PAD SECTIONS INCLUDE MOLDED-IN CLEARANCE FOR GOAL MOUNTING PLATE & CENTER-STRUT® FEATURE

— 00229-000 RECTANGULAR BACKBOARD PADDING KIT
NATURAL GRAY

REVISION	DATE	Porter No.
Change to Molded-type	3-1-2004	
Change Type to Glue	9-1-2005	CUSTOMER No.
DATE	11-14-1995	

00229-000
SELF-STICK PADDING KIT
FOR RECTANGULAR BACKBOARD

THIS PRINT IS THE PROPERTY OF PORTER ATHLETIC EQUIPMENT COMPANY AND MAY NOT BE REPRODUCED WITHOUT WRITTEN PERMISSION

porter[®]
WORLD LEADER
IN QUALITY SPORTS EQUIPMENT
2500 S. 25th AVENUE
BROADVIEW, ILLINOIS 60155
www.porter-ath.com

DRAWING BY
RJM
CHECKED BY
EAS
PAGE No.
B-229

SPECIFICATIONS

PORTER No. 00229-000

PADDING KIT FOR PAIR OF RECTANGULAR BACKBOARDS

Pad shall fit any official size (72" wide) 1-1/2" thick rectangular backboard. Padding kit shall consist of four sections of padding, to pad two backboards. Pad shall include molded-type square corners for maximum safety, appearance and durability. Pads shall be molded from Polyurethane Foam (9 lb. density) with integral skin (self-skinning). Extremely durable skin minimizes the possibility of cracks and tears as on traditional extruded type pads. Pad shall be provided in a neutral gray color.

Pad kit shall include a fast-setting adhesive (included) for securing pad sections to the backboard. Pad sections shall include molded-in clearance for goal mounting plate and center-strut[®] feature, eliminating cutting in-field.

Pad meets all competition requirements of the NBA, NCAA, NFHS, and international requirements of FIBA.

Pad is furnished with a limited one-year warranty.