

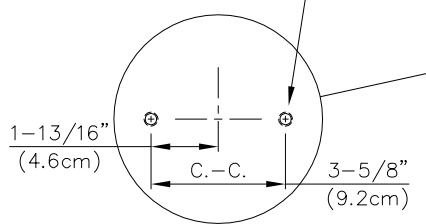
OFFICIAL (ORANGE) PERIMETER AND TARGET AREA STRIPING

BOLT HEADS NOT ALLOWED ON FRONT SIDE OF BACKBOARD

OUTLINE OF OPTIONAL SAFETY PADDING

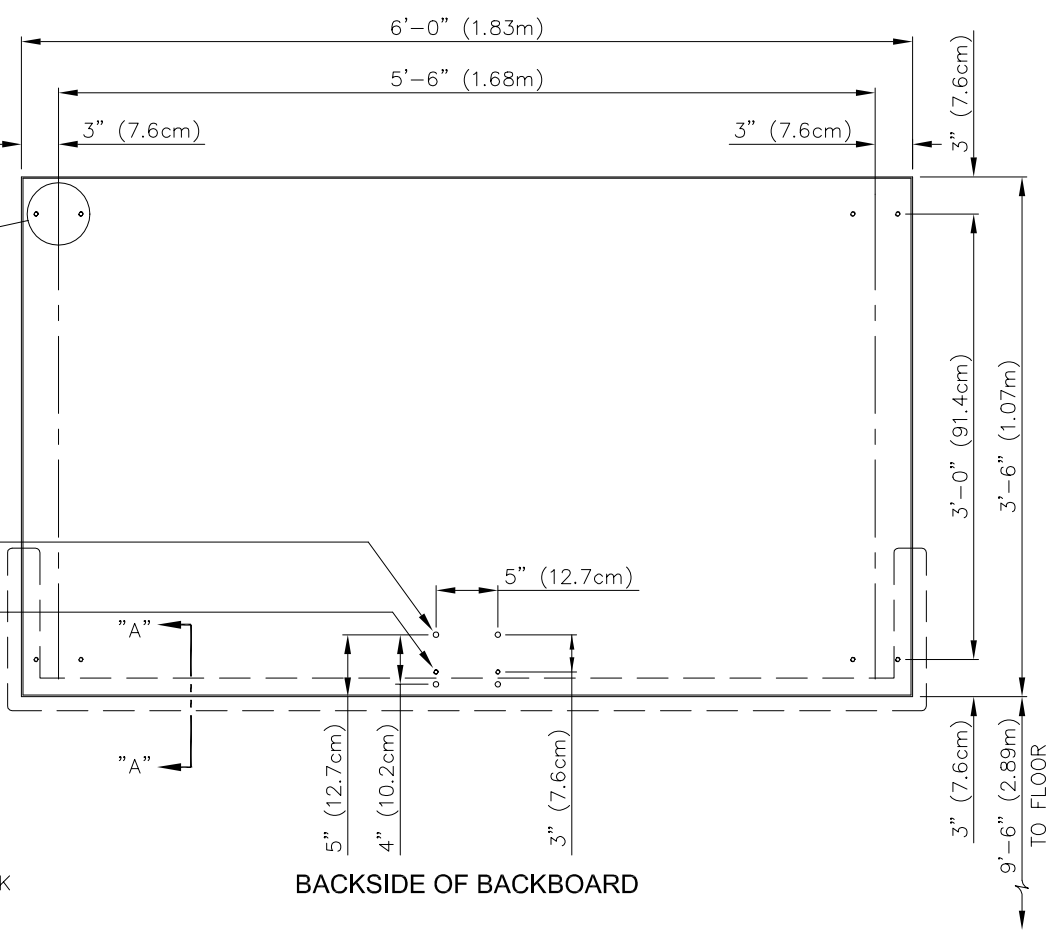
FRONT OF BACKBOARD

USE 3/8-16 x 1" LG. HEX HEAD MACHINE BOLT WITH LOCKWASHERS AND FLATWASHERS (8) FOR MOUNTING BRACKETS

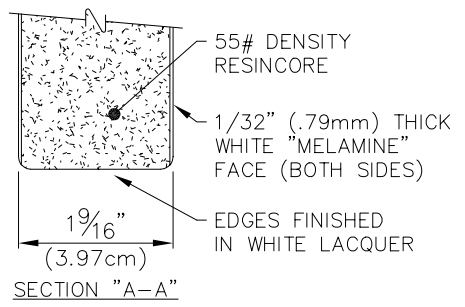


DETAIL "A"
TYPICAL DETAIL AT (4) LOCATIONS - SEE BACKSIDE OF BANK

GOAL MOUNTING HOLES PRE-DRILLED AT FACTORY
3/8-16 x 1" DEEP INSERT FOR MOUNTING BACKBOARD TO CENTER-STRUT TYPE SUPPORT STRUCTURES



BACKSIDE OF BACKBOARD



- 00228-300 DURA-LAM RECTANGULAR WOOD BACKBOARD
- See B-324-72W — 00324-072 BACKBOARD PADDING KIT - BOLT-ON - GRAY (EACH)
- See B-229 — 00229-000 BACKBOARD PADDING KIT - TAPE-ON - GRAY (PAIR)

REVISION	DATE	Porter [®] No.
△	:	
△		CUSTOMER No.
△		DATE
© COPYRIGHT 1989 PORTER ATHLETIC EQUIPMENT CO. ALL RIGHTS RESERVED		5-11-1989

00228-300
3'-6" x 6'-0" DURA-LAM
RECTANGULAR WOOD BACKBOARD

THIS PRINT IS THE PROPERTY OF PORTER ATHLETIC EQUIPMENT COMPANY AND MAY NOT BE REPRODUCED WITHOUT WRITTEN PERMISSION

porter[®]
WORLD LEADER
IN QUALITY SPORTS EQUIPMENT
2500 S. 25th AVENUE
BROADVIEW, ILLINOIS 60155
www.porter-ath.com

DRAWING BY RJM
CHECKED BY ES
PAGE No. B-228-3

SPECIFICATIONS

PORTER No. 00228-300 DURA-LAM RECTANGULAR WOOD BACKBOARD

Backboard shall be official size 3'-6" x 6' x 1-9/16" in thickness.

Backboard shall consist of a laminate thermally fused under intense heat and pressure to both sides of a wood core for complete balance. Laminate shall be 1/32" thick, composed of multiple layers of Melamine and/or Phenolic resin impregnated alpha cellulose and Kraft papers. Wood core shall be 1-1/2" thick, 55 lb./cf density particle board complying with ANSI/A208.1-1979 Type 1, Grade 1-M-3. Edges to be shaped 4 sides and corners to a 3/16" radius and lacquered to match face color.

Face of backboard shall be provided with official perimeter and target area markings (orange) permanently applied as an integral part of the Melamine laminate at fabrication for maximum durability.

Rear of backboard shall be furnished with ten (10) 3/8-16 x 1" deep, factory installed inserts at standard mounting centers for backstop support or optional direct mount goal feature (Center-Strut®). Factory drilled goal mounting holes (4) to be on standard 5" x 4" mounting centers.

Backboard protected by a limited 10-year warranty.

OPTIONAL ITEMS TO SPECIFY

- See Page No. B-324-72W for specifications on Porter No. 00324-072 Backboard Padding Kit.
- See Page No. B-229 for specifications on Porter No. 00229-000 Backboard Padding Kit.