

REVISION	DATE	PORTER No.
Change Bds	10-1-01	
		CUSTOMER No.

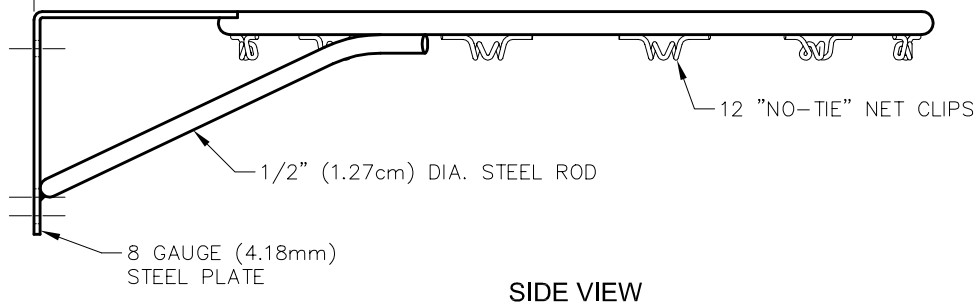
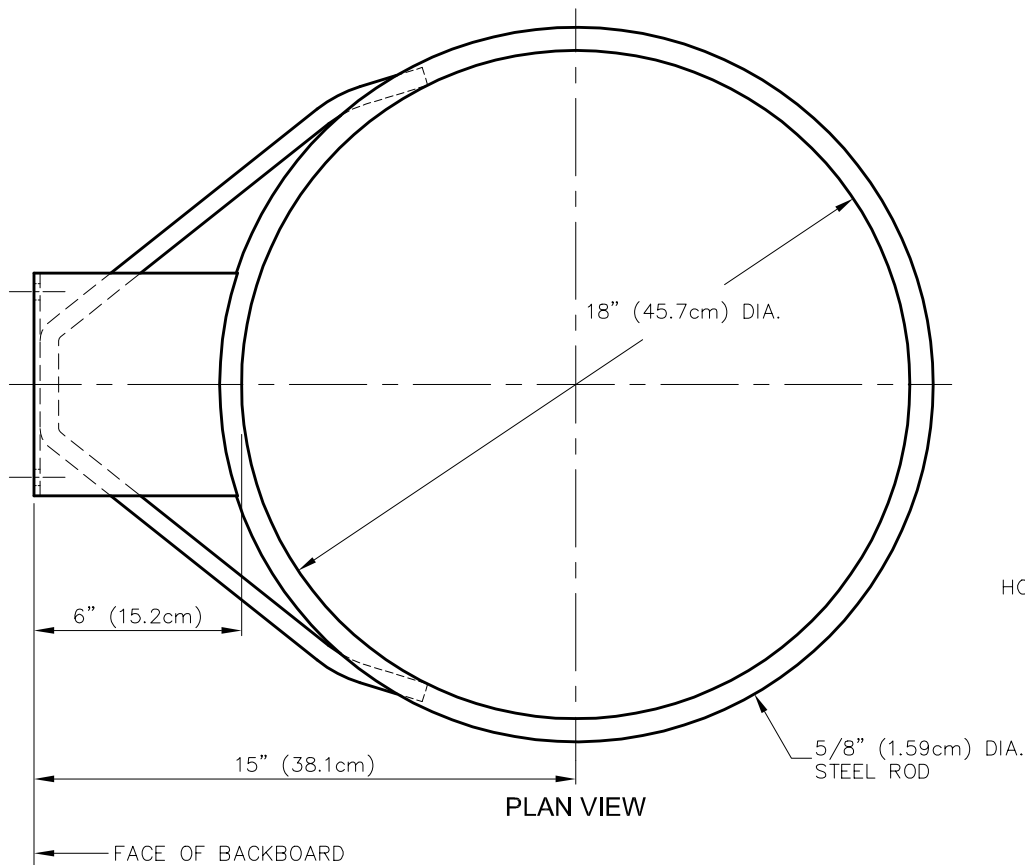
© COPYRIGHT 1994 PORTER ATHLETIC EQUIPMENT CO. ALL RIGHTS RESERVED. DATE 10-6-1994

00221-H00
FRONT MOUNT GOAL
with MOUNTING HARDWARE and NET

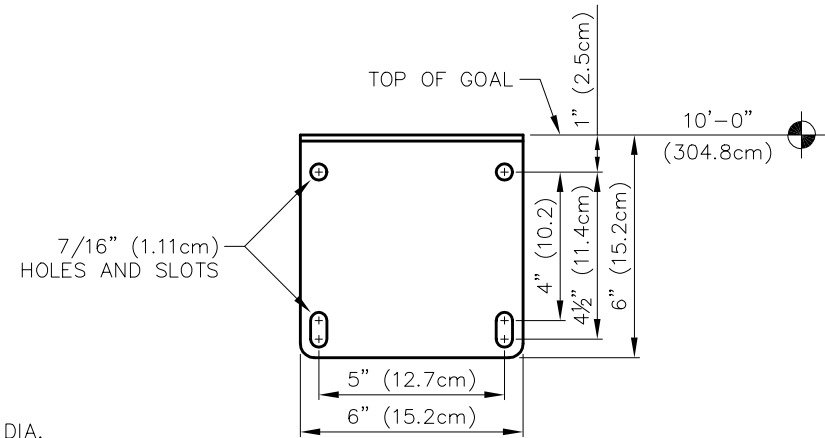
THIS PRINT IS THE PROPERTY OF PORTER ATHLETIC EQUIPMENT COMPANY AND MAY NOT BE REPRODUCED WITHOUT WRITTEN PERMISSION

Porter
 WORLD LEADER
 IN QUALITY SPORTS EQUIPMENT
 2500 S. 25th AVENUE
 BROADVIEW, ILLINOIS 60155
 www.porter-ath.com

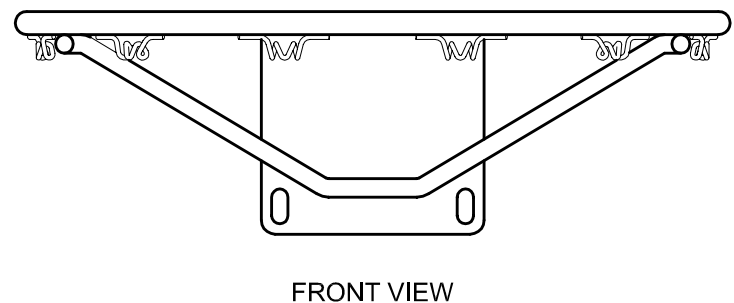
DRAWING BY RJM	CHECKED BY EAS	PAGE No. B-221
-------------------	-------------------	-------------------



PARTS LIST		DESCRIPTION	
No.	QTY.		
1	1	GOAL 00021 007	GOAL WELDMENT
2	1	NETS 00001 000	WHITE NYLON NET
3	4	HDWE 01217 0E0	3/8" x 3 1/2" Lg. HEX HEAD TAP BOLT (Grade 5) Δ
4	4	HDWE 05004 0E0	3/8" FLATWASHER
5	4	HDWE 04002 0E0	3/8" LOCKWASHER
6	4	HDWE 03002 0E0	3/8" HEX NUT
7	4	PCAP 00040 002	3/8" THREAD PROTECTOR



GOAL MOUNTING PLATE DETAIL



SPECIFICATIONS

PORTER No. 00221-H00 FRONT MOUNT GOAL WITH MOUNTING HARDWARE AND NET

Rim shall be fabricated from 5/8" diameter cold drawn alloy steel round formed to an 18" inside diameter ring. Inside of ring shall be positioned 6" from face of backboard by heavy, L-shaped, formed steel mounting plate with a 5" x 4" and 5" x 4-1/2" mounting hole centers for front mounting on standard glass, wood and fiberglass type backboards. (Goal compatible with all Center-Strut[®], direct-mount type support frames.)

Rim shall be rigidly braced by means of a 1/2" diameter cold drawn alloy steel round formed and welded in position for maximum support. Rim shall be provided with twelve "no-tie" net attachment clips for net attachment.

Goal shall be finished in a durable, official orange powder-coat finish.

Goal shall be furnished complete with a high quality white nylon net and plated mounting hardware. Mounting bolts shall be SAE Grade 5.