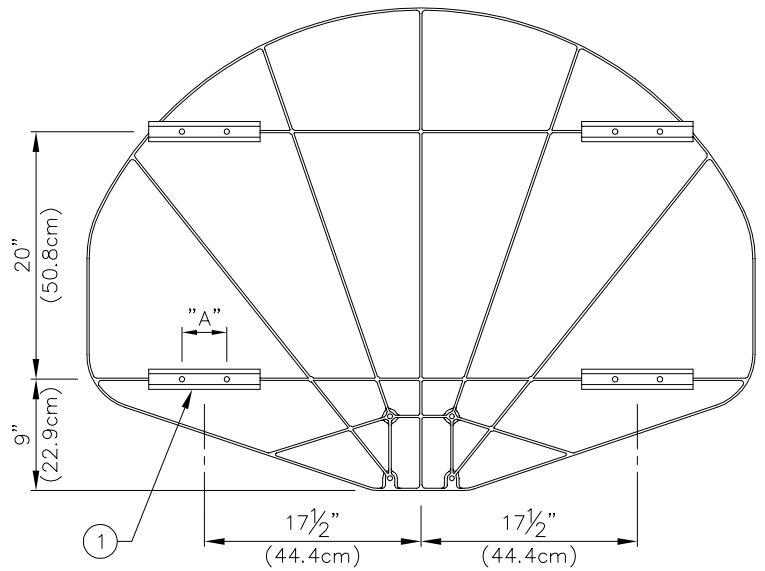


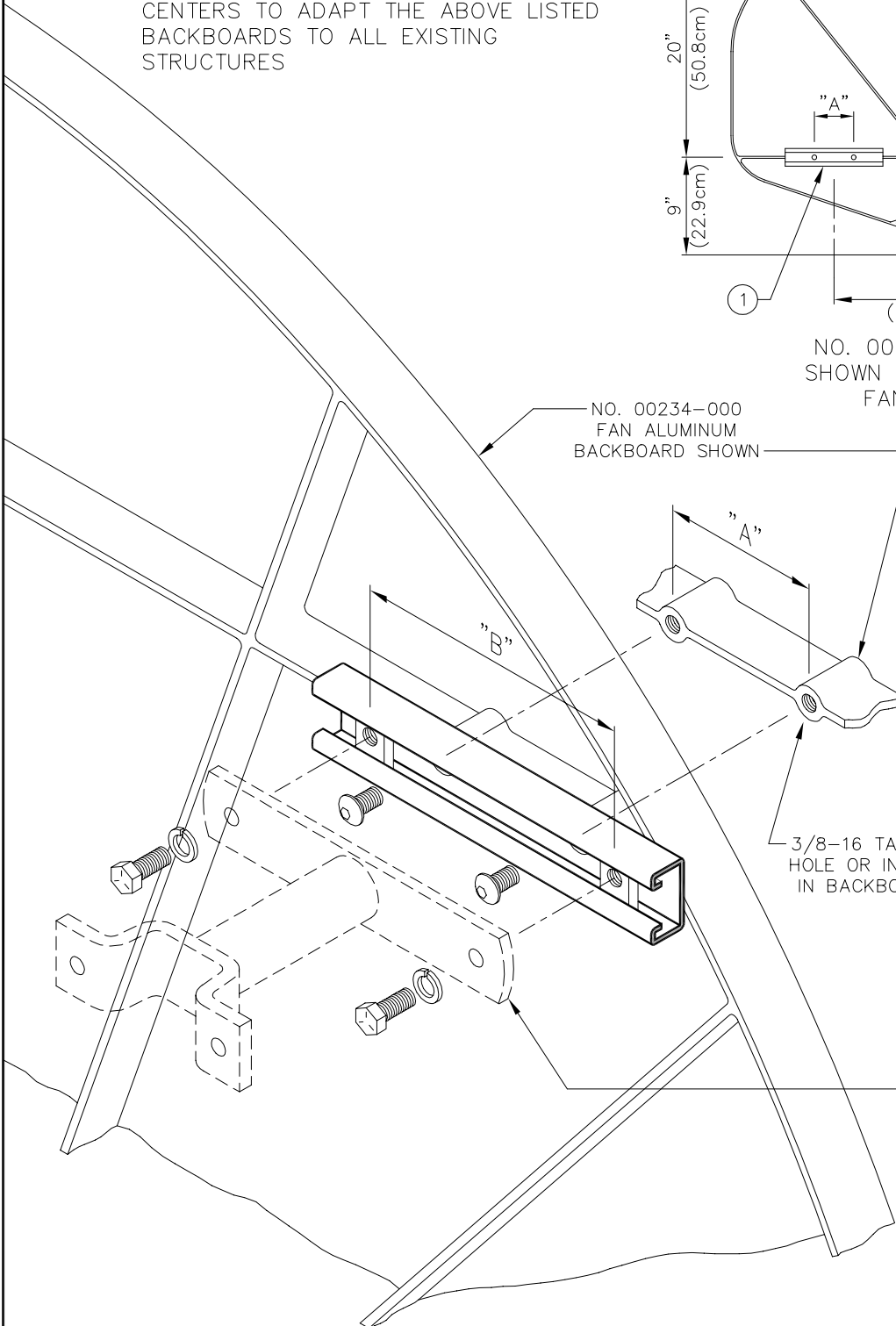
**BACKBOARD MOUNTING DIMENSIONS**

"A" - 3-5/8" (9.2cm) - FORMED ADAPTER CHANNEL DRILLED TO MATCH MOUNTING CENTERS ON NO. 211, 226, 228-3, 234, 238-3 AND 267 BACKBOARDS

"B" - 8" (20.3cm) MAXIMUM MOUNTING CENTERS TO ADAPT THE ABOVE LISTED BACKBOARDS TO ALL EXISTING STRUCTURES

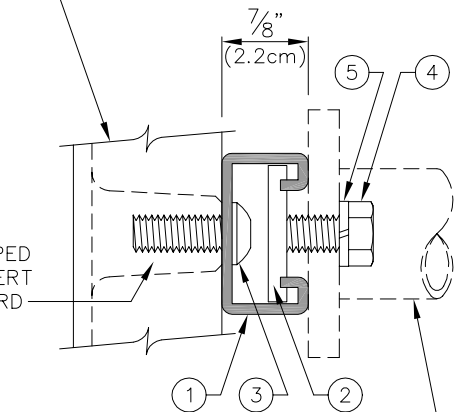


NO. 00217-000 BANK ADAPTER KIT SHOWN MOUNTED ON NO. 00234-000 FAN ALUMINUM BACKBOARD



NO. 00234-000 FAN ALUMINUM BACKBOARD SHOWN

3/8-16 TAPPED HOLE OR INSERT IN BACKBOARD



SECTION THRU BACKBOARD AT FOUR ATTACHMENT POINTS

EXISTING BANK EXTENSION CLAMP

**— 00217-000 BACKBOARD ADAPTER KIT**

PACKING LIST		
NO.	QTY.	DESCRIPTION
1	4	CHNL 00044 008 FORMED ADAPTER CHANNEL
2	8	HDWE 03057 0E0 SLIDING NUT
3	8	HDWE 09012 0E0 3/8" x 3/4" LG. MACHINE SCREW
4	8	HDWE 01124 0P0 3/8" x 1" LG. MACHINE BOLT
5	8	HDWE 04002 0E0 3/8" LOCKWASHER

REVISION	DATE	Porter No.
△	.	.
△		CUSTOMER No.
△		
© COPYRIGHT 1992 PORTER ATHLETIC EQUIPMENT CO. ALL RIGHTS RESERVED		DATE
		1-8-1992

**00217-000  
BACKBOARD ADAPTER KIT  
FOR EXISTING SUPPORT STRUCTURES**

THIS PRINT IS THE PROPERTY OF PORTER ATHLETIC EQUIPMENT COMPANY AND MAY NOT BE REPRODUCED WITHOUT WRITTEN PERMISSION

**porter**<sup>®</sup>  
WORLD LEADER  
IN QUALITY SPORTS EQUIPMENT  
2500 S. 25th AVE. BROADVIEW, IL. 60153-9006

DRAWING BY RJM
CHECKED BY ES
PAGE No. <b>B-217</b>

# **SPECIFICATIONS**

## **PORTER No. 00217-000 BACKBOARD ADAPTER KIT**

Backboard adapter kit shall be designed for use in installing aluminum (No. 00234-000 & 00234-300) and fiberglass (No. 00267-000 & 00226-000) backboards on existing indoor or outdoor support structures that do not mate to the 3-5/8" (9.2cm) centers of the 3/8-16 threaded inserts in the backside of the backboards.

Formed steel channel type adapters (4) bolt to the backside of the backboards on the 3-5/8" centers using special, 3/8-16, plated, allen head type bolts. Channel adapter is furnished with special, plated internal sliding nuts (3/8-6) which allow attaching to existing support structures on backboard extension fittings with maximum mounting centers of 8" (20.3cm). Channel adapters shall be 7/8" (2.2cm) in thickness x 1-5/8" (4.13cm) in width x 9" (22.36cm) in length and be finished in a durable, gray powder-coated finish.

Adapter kit furnished complete with all mounting hardware required for mounting one backboard.