

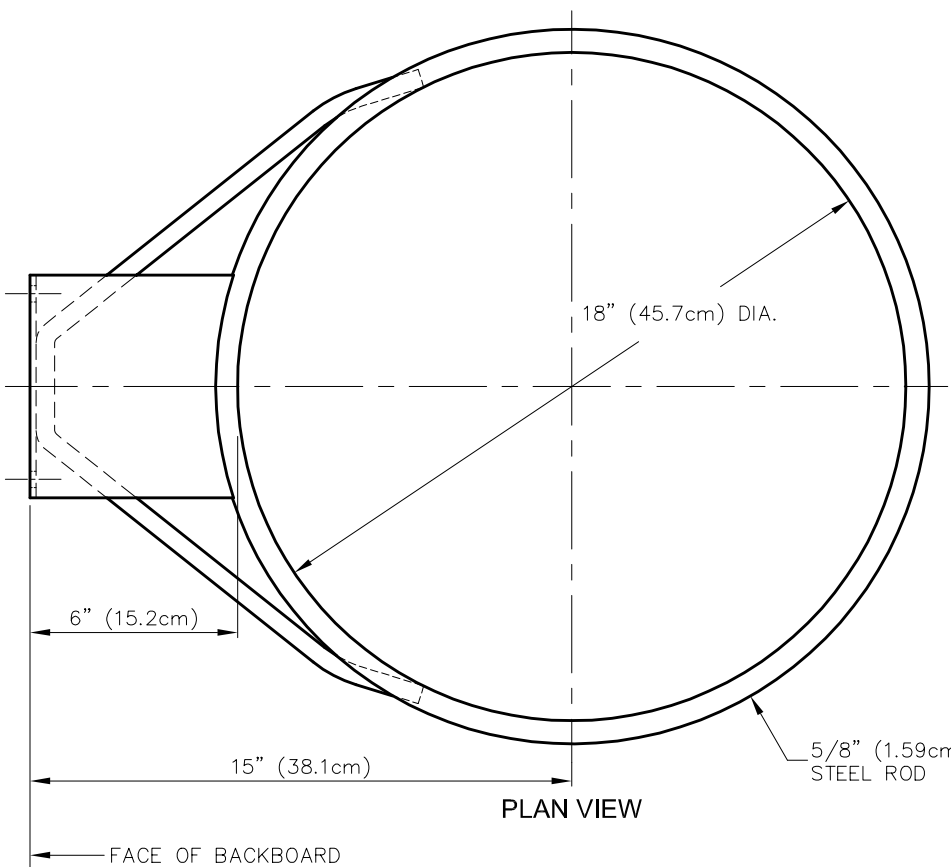
REVISION	DATE	PORTER No.
Change Bobs	10-1-01	
Grade 5 Bolts		

00201-H00
FRONT MOUNT GOAL
 with MOUNTING HARDWARE and NET

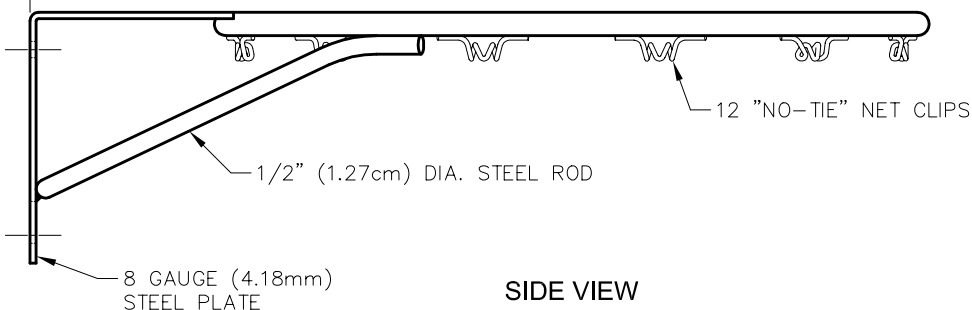
Porter
 WORLD LEADER
 IN QUALITY SPORTS EQUIPMENT
 2500 S. 25th AVENUE
 BROADVIEW, ILLINOIS 60155
 www.porter-ath.com

DRAWING BY RJM	CHECKED BY EAS	PAGE No. B-201
-------------------	-------------------	-------------------

© COPYRIGHT 1994 PORTER ATHLETIC EQUIPMENT CO. ALL RIGHTS RESERVED.
 DATE 2-21-1994
 CUSTOMER No.

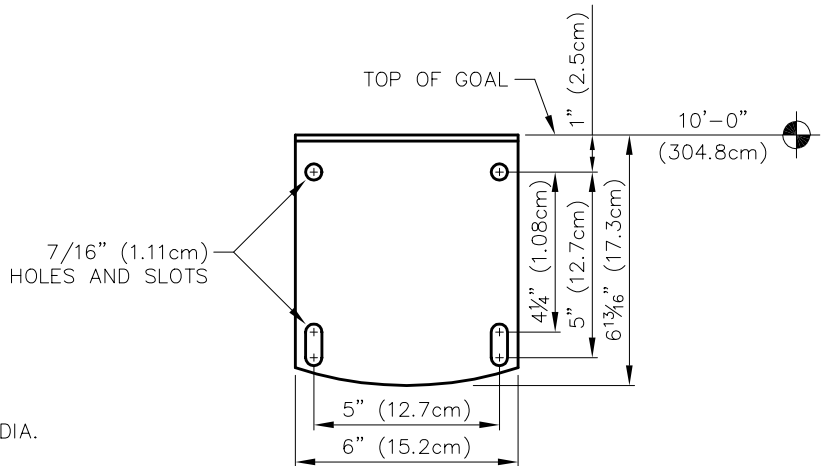


PLAN VIEW

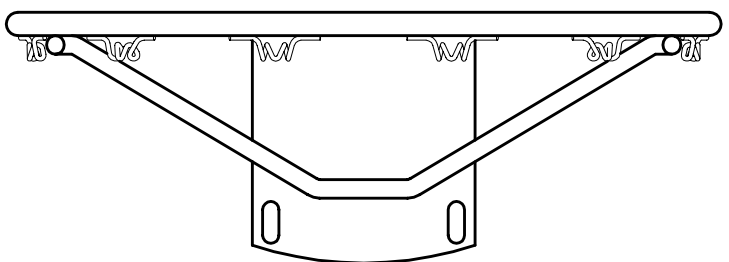


SIDE VIEW

PARTS LIST		
No.	QTY.	DESCRIPTION
1	1	GOAL 00004 007 GOAL WELDMENT
2	1	NETS 00001 000 WHITE NYLON NET
3	4	HDWE 01217 0E0 3/8" x 3 1/2" Lg. HEX HEAD TAP BOLT (Grade 5) Δ
4	4	HDWE 05004 0E0 3/8" FLATWASHER
5	4	HDWE 04002 0E0 3/8" LOCKWASHER
6	4	HDWE 03002 0E0 3/8" HEX NUT
7	4	PCAP 00040 002 3/8" THREAD PROTECTOR



GOAL MOUNTING PLATE DETAIL



FRONT VIEW

SPECIFICATIONS

PORTER No. 00201-H00

FRONT MOUNT GOAL WITH MOUNTING HARDWARE AND NET

Rim shall be fabricated from 5/8" diameter cold drawn alloy steel round formed to an 18" inside diameter ring. Inside of ring shall be positioned 6" from face of backboard by heavy, L-shaped, formed steel mounting plate with 5" x 5" mounting hole centers for front mounting on standard glass, wood and fiberglass type backboards. (Goal compatible with all Center-Strut[®] direct mount type support frames).

Rim shall be rigidly braced by means of a 1/2" diameter cold drawn alloy steel round formed and welded in position for maximum support. Rim shall be provided with twelve "no-tie" net attachment clips for net attachment.

Goal shall be finished in a durable, official orange powder-coat finish.

Goal shall be furnished complete with a high quality white nylon net and plated mounting hardware. Mounting bolts shall be SAE Grade 5.