

REVISION	DATE	DESCRIPTION
GOAL	8-30-94	
CHANGING BOARD	11-7-95	PORTER No.
BOARD PAD	10-1-97	
Kelly Green	5-1-00	CUSTOMER No.
Medium Green		
00254-500	11-4-1992	DATE
00326-000		

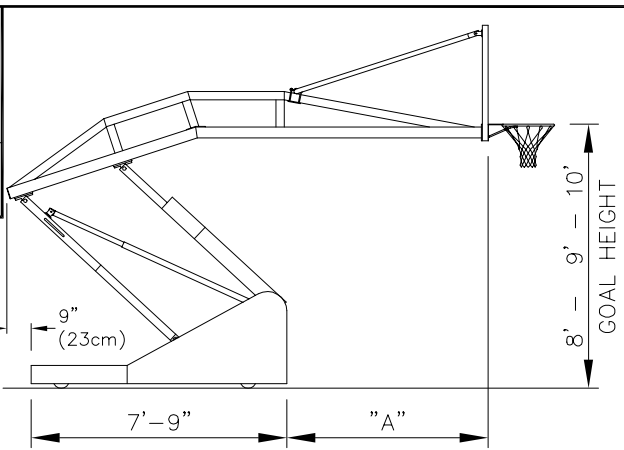
© COPYRIGHT 1992 PORTER ATHLETIC EQUIPMENT CO. ALL RIGHTS RESERVED.

**01535-108**  
**HEIGHT-ADJUSTABLE PORTABLE**  
**FIELD-HOUSE BACKSTOP**  
**10'-8" EXTENSION**

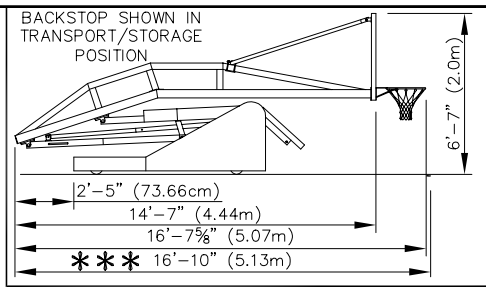
THIS DRAWING IS THE PROPERTY OF PORTER ATHLETIC EQUIPMENT COMPANY AND MAY NOT BE REPRODUCED WITHOUT WRITTEN PERMISSION

**Porter**  
**WORLD LEADER**  
**IN QUALITY SPORTS EQUIPMENT**  
 2500 S. 25th AVENUE  
 BROADVIEW, ILLINOIS 60155  
 www.porter-ath.com

DRAWING BY  
 RJM  
 CHECKED BY  
 ES  
 PAGE No.  
**B-1535-10**



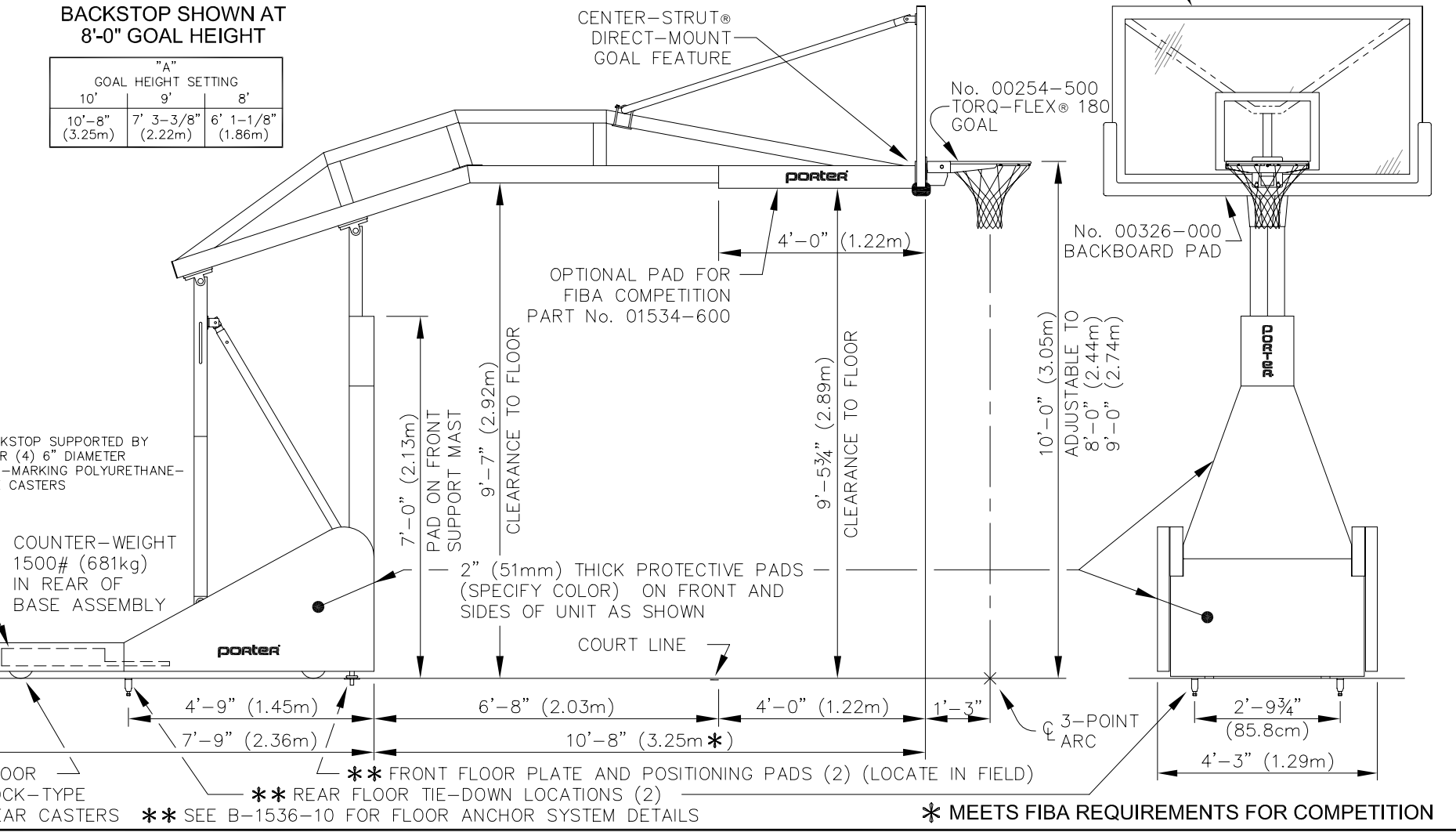
- **01535-108 PORTABLE BACKSTOP**  
10'-8" EXTENSION
- **PADDING COLOR**  
ROYAL BLUE IS STANDARD. SEE SPECIFICATIONS FOR OPTIONAL COLORS.
- **01337-410 SHOT CLOCK SUPPORT PAIR (Optional)** For use with Porter No. 82022 Series Shot Clocks
- **01534-600 BOOM PAD**  
FOR FIBA COMPETITION (Optional)



**\*\*\* MINIMUM COURTLINE TO WALL DIMENSION TO ROLL BACKSTOP INTO PLAYING POSITION**

**BACKSTOP SHOWN AT 8'-0" GOAL HEIGHT**

"A"	GOAL HEIGHT SETTING
10'	9'
10'-8" (3.25m)	7' 3-3/8" (2.22m)
	6' 1-1/8" (1.86m)



**\*\* FRONT FLOOR PLATE AND POSITIONING PADS (2) (LOCATE IN FIELD)**

**\*\* REAR FLOOR TIE-DOWN LOCATIONS (2)**

**\*\* SEE B-1536-10 FOR FLOOR ANCHOR SYSTEM DETAILS**

**\* MEETS FIBA REQUIREMENTS FOR COMPETITION**

# **SPECIFICATIONS**

## **PORTER No. 01535-108 HEIGHT ADJUSTABLE PORTABLE FIELD HOUSE BACKSTOP WITH 10'-8" (3.25m) EXTENSION**

Backstop shall be designed for use at official goal height setting of 10'-0" (3.05m) for competition main court arenas, incorporating a precise, CAD designed parallelogram type folding system with an integral height adjustment locking mechanism which also allows the unit to be used and locked into position at 8'-0" (2.44m), 9'-0" (2.75m) and 9'-4" (3.20m) goal heights for use by younger age groups in intramural or camp type training sessions.

Backstop base shall be 4'-3" (1.29m) in width x 7'-9" (2.36m) in length (including padding). Base shall be constructed of heavy-wall, 3" (7.6cm) x 5" (12.7cm) structural steel tubing sections. Base shall be furnished complete with compact, heavy solid steel ballast (1500# – 681 kg) weights concealed and nested inside rear of frame. Base frame shall incorporate four (4) 6" (15.24cm) diameter non-marking, polyurethane casters equipped with roller bearings for ease of operation. Front two casters shall be swivel-type and rear two casters shall be equipped with a foot operated locking system.

Front of base shall also be furnished with two pressure lock type floor pads that position unit on the playing floor in special floor positioning cups which are secured into flush mounted floor plates (00242-100) furnished with unit. Rear of base is positioned by ratchet/strap type floor anchor system, which is furnished as standard. See Page No. B-1536-10 for specifications on floor anchor system. Specify two (2) optional floor anchors as required for specific floors. (No. 00244-000 or No. 00247-100 anchors recommended for anchorage into concrete slab). Goal is locked at competition 10'-0" (3.05m) height setting by means of a concealed handwheel mechanism with a roller thrust bearing for ease of operation.

Front and rear vertical support assemblies shall be fabricated of heavy-wall, unitized rectangular steel sections with diagonal bracing for maximum stability. Upper and lower ends of vertical support shall pivot in heavy duty, commercial grade pillow block roller bearing assemblies, which are lubricated and sealed for ease of operation.

Center horizontal backboard support shall be of a unitized construction with dual rectangular structural steel tubes extending from the upper ends of the vertical supports. The dual extension tubes shall intersect at the rear vertical support and taper outward to a 16-1/2" (42cm) wide, heavy steel mounting plate positioned directly behind the goal mounting bolt hole pattern on the backboard for maximum lateral stability and to comply with the latest NCAA recommendation which states that "The design of the unit shall transfer the load of the goal directly to the backboard support so as to minimize stress to the glass backboard". The mounting plate shall be designed for direct attachment to the flush mount rear frame of the glass backboard (No. 00208-000) and shall be provided with mounting holes and hardware to support the backboard and allow the goal to be removed or replaced when necessary without removing or disturbing the alignment of the glass backboard. The horizontal frame support shall also be bridged in the vertical plane by an additional heavy-wall rectangular tube to form a truss-like structure for maximum rigidity. Extension assembly shall provide a full 10'-8" (3.25m) from the face of the backboard to the front padding to meet FIBA requirements for international competition, with the goal located at the 10'-0" (3.05m) competition height. Upper backboard support arms shall extend diagonally from the horizontal extension assembly for proper backboard support.

A counterbalanced type multiple tension spring operating system concealed within the backstop shall allow one individual to easily raise or lower backboard within a five second cycle time without the use of additional tools or power mechanisms. Counterbalance system shall be completely enclosed and out of sight. Goal shall be locked in playing position (8', 9' or 10') by means of an integral, telescoping diagonal brace system equipped with a positive thru pin and pressure lock arrangement to provide stability in all positions. The thru pin mechanism is designed to accept a padlock provided with each unit to lock the backstop at any playing height or storage position to eliminate use or operation by unauthorized individuals.

**SPECIFICATIONS CONTINUED ON Page 2 of 2**

# **SPECIFICATIONS (CONTINUED)**

## **PORTER No. 01535-108 HEIGHT ADJUSTABLE PORTABLE FIELD HOUSE BACKSTOP WITH 10'-8" (3.25m) EXTENSION**

Backstop shall be furnished with front vertical support and sides of base covered in durable protective padding. Padding shall consist of a minimum 2" (5cm) thick shock absorbing foam (6 lb. density bonded foam), covered with a 14 oz. (per square yard) vinyl coated polyester scrim material for rip and superior tear resistance. Padding shall be provided with a rigid, solid-core plywood backing for securing to the backstop frame. Entire top of base section shall be enclosed by a matching vinyl covered enclosure. Padding shall be supplied in royal blue as standard. Other colors are available: sky blue, red, white, orange, yellow, beige, gray, maroon, purple, black, navy, kelly green or dark green – Specify if a color other than standard is required.

Overall dimension of backstop in folded, storage position to be: Height of 6'-7" (2m), width of 4'-3" (1.29m) (backboard width of 6'-4" (1.93m)), length of 16' 7-5/8" (5.07m).

All metal parts of backstop shall be furnished with a prime coat and a second coat of durable white enamel.

BACKBOARD – No. 00208-000 – See Page No. B-208 for specifications.

BACKBOARD SAFETY PADDING – No. 00326-000 Pro-Pad<sup>®</sup> – See Page No. B-326 for specifications.

GOAL – No. 00254-500 Torq-Flex<sup>®</sup> 180 Adjustable Goal – See Page No. B-254-5 for specifications.

### **OPTIONS**

No. 01534-600 – HORIZONTAL SUPPORT ARM PROTECTIVE PAD (EACH)

Pad shall be designed and fabricated to meet the International Basketball Federation (FIBA) requirements for competition. Pad shall cover the bottom and sides of the horizontal backboard support arm and extend to the court line.

Pad shall be of 1-1/4" thick closed cell shock absorbing foam, covered in a heavy 14 oz. (per square yard) white, vinyl coated polyester scrim material. Pad shall be furnished with Velcro type attachment strips for ease of installation.

No. 82022-00\_ – Shot Clocks (one pair).

No. 82022-02\_ – Shot Clocks with Game Time (one pair).

No. 82022-03\_ – Shot Clocks (one pair) for use with Porter 821L Series Perimeter LED's.

No. 82022-05\_ – Shot Clocks with Game Time (one pair) for use with Porter 821L Series Perimeter LED's.

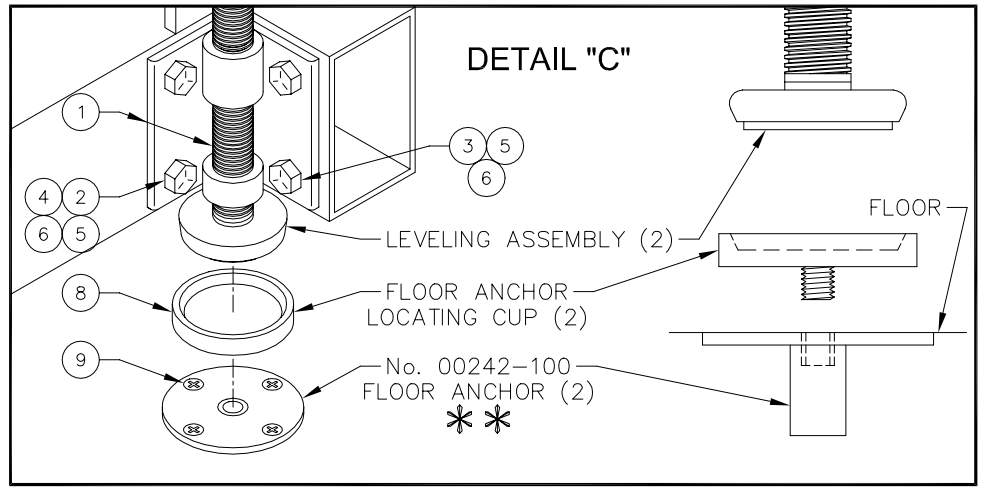
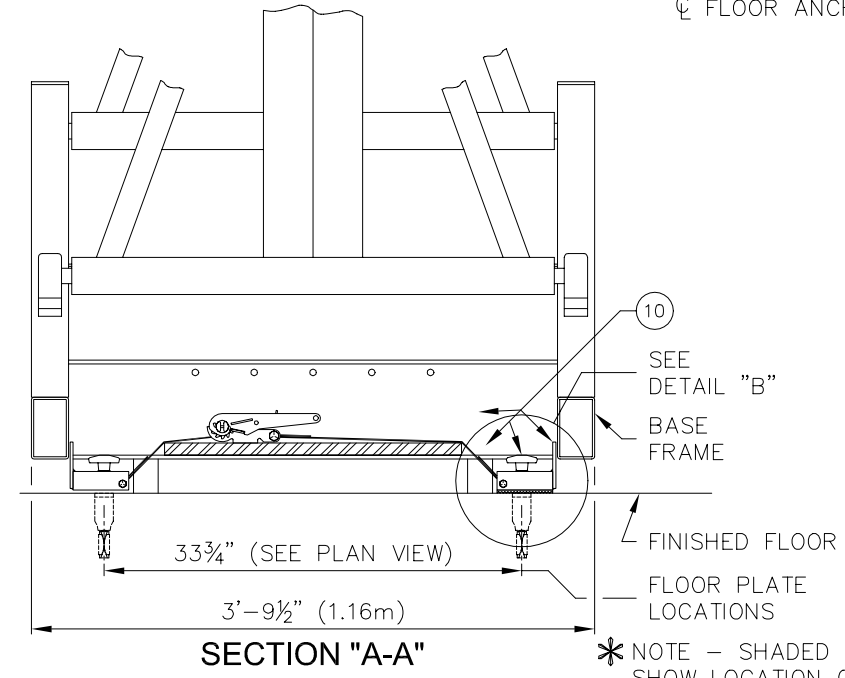
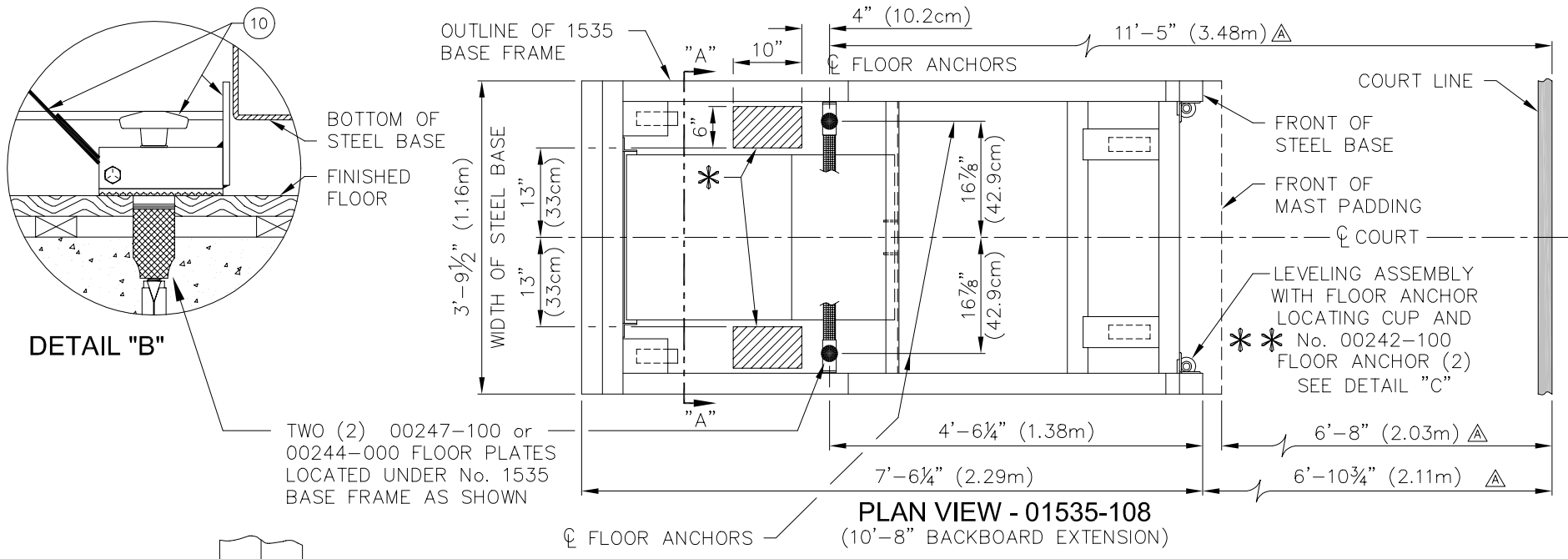
No. 01337-410 – Shot Clock Supports (one pair), for use with Porter No. 82022 Series Shot Clocks.

REVISION	DATE	PORTER No.
△ MOVE ANCHORS 11-30-93		
△ CHANGE TIE DOWN STYLE 10-1-97		
△ CHANGE TIE DOWN STYLE 4-1-2004		
© Copyright 1992 Porter Athletic Equipment Co.	DATE	
ALL RIGHTS RESERVED.	11-4-1992	

**TIE-DOWN AND LEVELERS**  
**FLOOR ANCHOR SYSTEM SUPPLIED WITH**  
**No. 01535-108 PORTABLE BACKSTOP**

**Porter**  
**WORLD LEADER**  
**IN QUALITY SPORTS EQUIPMENT**  
 2500 S. 25th AVENUE  
 BROADVIEW, ILLINOIS 60155  
 www.porter-ath.com

DRAWING BY  
 RJM  
 CHECKED BY  
 ES  
 PAGE No.  
 B-1536-10



\* NOTE - SHADED AREAS (6" x 10") (15cm x 25cm) SHOW LOCATION OF FLOOR AREAS FOR USE WITH OPTIONAL FLOOR MOUNTED TYPE POWER AND CONTROL RECEPTACLES FOR SHOT CLOCK TIMERS.

\*\* LOCATE AT SET-UP PER INSTRUCTIONS

**FLOOR ANCHORS REQUIRED (2)**  
**FOR USE WITH TIE-DOWN**

No. QTY.		PARTS LIST	
		DESCRIPTION	
1	2	BASE 00078 000	LEVELING ASSEMBLY
2	4	HDWE 01177 0P0	1/2" x 4" Lg. HEX HEAD CAP SCREW (Grade 5)
3	4	HDWE 01154 0P0	1/2" x 1 1/4" Lg. HEX HEAD CAP SCREW (Grade 5)
4	4	HDWE 05005 0E0	1/2" FLATWASHER
5	8	HDWE 04003 0E0	1/2" LOCKWASHER
6	8	HDWE 03003 0E0	1/2" HEX NUT
7	1	MISC 00165 000	WRENCH (NOT SHOWN)
8	2	FEET 00031 0E0	LOCATING CUP
9	8	HDWE 06011 0E0	#14 x 3/4" Lg. FLAT HEAD SCREW
10	1	BASE 00116 101	TIE-DOWN ASSEMBLY

# **SPECIFICATIONS**

## **PORTER FLOOR ANCHOR SYSTEM (EACH)** **FOR ONE No. 01535-108 PORTABLE BACKSTOP**

Floor anchor system shall be designed to meet the latest NCAA requirement, which states that portable type backboard supports must be anchored to the floor.

Anchor system must be concealed entirely within the base unit of the portable backstop to completely eliminate any exposed or unsafe projections. Anchor system must also be located in such a position to prevent unit from tipping and to prevent movement on the floor during aggressive play.

System consists of a heavy-duty ratchet tensioning mechanism and heavy, 1-3/4" wide, high tensile nylon straps with floor anchor adapters on both ends for securing into two (2) optional floor anchors. Handwheels shall be provided with special retainer rings to prevent removal from tie-down system to prevent loss or theft. Tensioning strap mechanism shall lay across counterweights in base of unit to secure backstop firmly to the floor to prevent movement during any slam-dunking or hanging on the rim.

Specify two (2) optional floor anchors as required for specific floors. (No. 00247-100 or No. 00244-000 anchors recommended for anchorage into concrete slab.)

Front of base shall be furnished with two pressure lock type floor pads that position the unit on the playing floor and lock goal at competition 10'-0" height setting. Floor pad locating cups and No. 00242-100 floor anchors shall be furnished as standard with No. 01535-108 portable basketball backstop, and shall be optional with No's. 01535-800 and 01535-500 portable basketball backstops.