

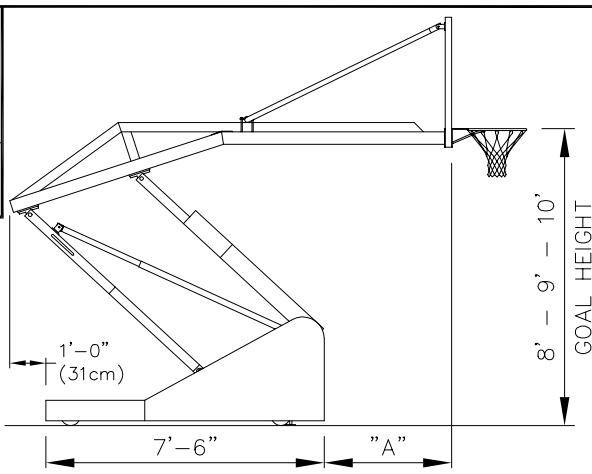
REVISION	DATE
GOAL	8-30-94
CHANGE PORTER BOARD SAND	10-1-97
Kelly Green, wos	5-1-00
Medium Green	4-1-2004
00754-500	4-1-2004
00754-500	4-1-2004

© COPYRIGHT 1990 PORTER ATHLETIC EQUIPMENT CO. ALL RIGHTS RESERVED.
 DATE 2-14-1990

01535-800
HEIGHT-ADJUSTABLE PORTABLE
FIELD-HOUSE BACKSTOP
8'-0" EXTENSION

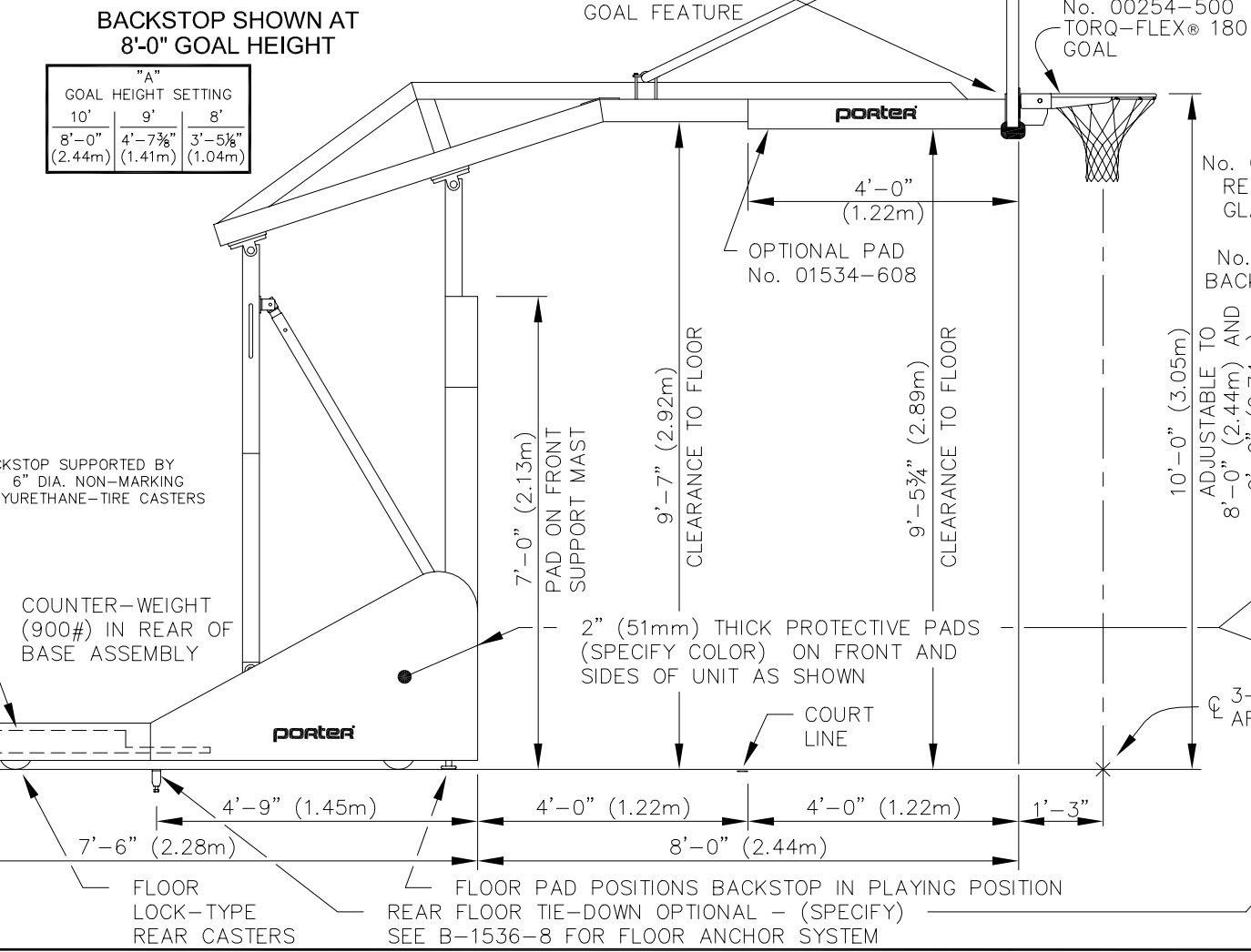
PORTER
 WORLD LEADER
 IN QUALITY SPORTS EQUIPMENT
 2500 S. 25th AVENUE
 BROADVIEW, ILLINOIS 60155
 www.porter-ath.com

DRAWING BY RJM
 CHECKED BY ES
 PAGE No. B-1535-8

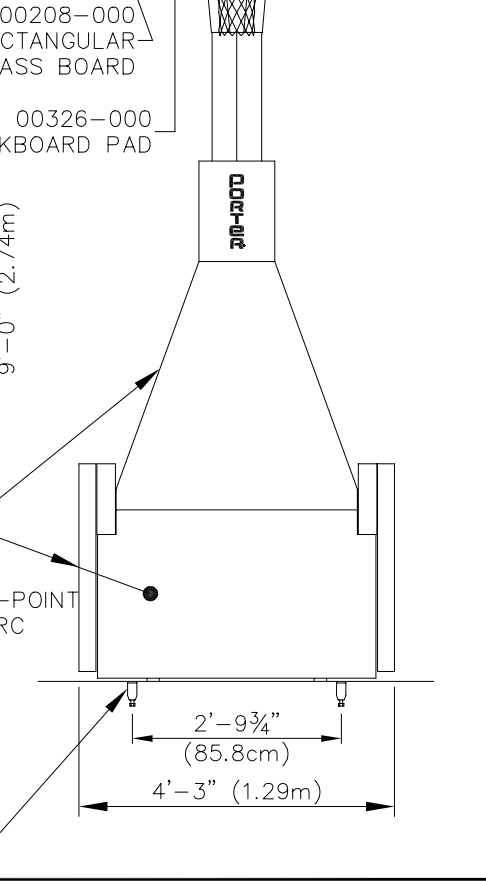
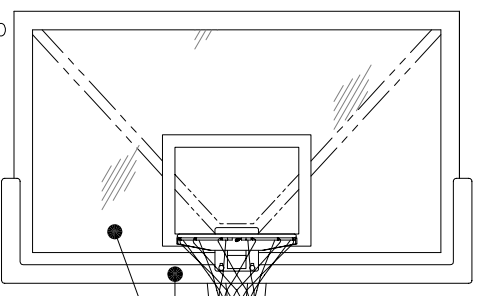
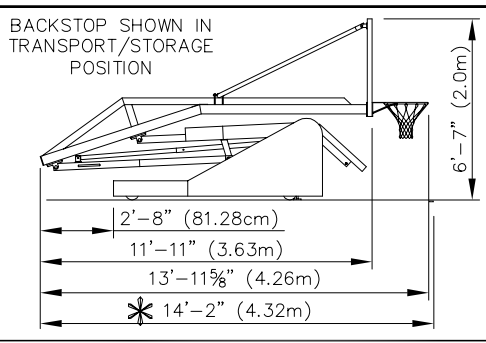


BACKSTOP SHOWN AT 8'-0" GOAL HEIGHT

"A" GOAL HEIGHT SETTING		
10'	9'	8'
8'-0" (2.44m)	4'-7 ³ / ₈ " (1.41m)	3'-5 ¹ / ₈ " (1.04m)



- 01535-800 PORTABLE BACKSTOP 8'-0" EXTENSION
- PADDING COLOR ROYAL BLUE IS STANDARD. SEE SPECIFICATIONS FOR OPTIONAL COLORS.
- See B-1536-8 01336-300 TIE-DOWN SYSTEM FOR PAIR OF BACKSTOPS (Optional)
- 01337-410 SHOT CLOCK SUPPORT PAIR (Optional) For use with Porter No. 82022 Series Shot Clocks



THIS PRINT IS THE PROPERTY OF PORTER ATHLETIC EQUIPMENT COMPANY AND MAY NOT BE REPRODUCED WITHOUT WRITTEN PERMISSION

FLOOR LOCK-TYPE REAR CASTERS
 FLOOR PAD POSITIONS BACKSTOP IN PLAYING POSITION
 REAR FLOOR TIE-DOWN OPTIONAL - (SPECIFY) SEE B-1536-8 FOR FLOOR ANCHOR SYSTEM

SPECIFICATIONS

PORTER No. 01535-800 HEIGHT ADJUSTABLE PORTABLE FIELD HOUSE BACKSTOP WITH 8'-0" (2.44m) EXTENSION

Backstop shall be designed for use at official goal height setting of 10'-0" (3.05m) for competition main court arenas, incorporating a precise, CAD designed parallelogram type folding system with an integral height adjustment locking mechanism which also allows the unit to be used and locked into position at 8'-0" (2.44m) and 9'-0" (2.75m) goal heights for use by younger age groups in intramural or camp type training sessions.

Backstop base shall be 4'-3" (1.29m) in width x 7'-6" (2.28m) in length (including padding). Base shall be constructed of heavy-wall, 3" (7.6cm) x 5" (12.7cm) structural steel tubing sections. Base shall be furnished complete with compact, heavy solid steel ballast (900# - 409 kg) weights concealed and nested inside rear of frame. Base frame shall incorporate four (4) 6" (15.24cm) diameter non-marking, polyurethane casters equipped with roller bearings for ease of operation. Front two casters shall be swivel-type and rear two casters shall be equipped with a foot operated locking system. Front of base shall also be furnished with two pressure lock type floor pads that position unit on the playing floor and lock goal at competition 10'-0" (3.05m) height setting by means of a concealed handwheel mechanism with a roller thrust bearing for ease of operation.

Front and rear vertical support assemblies shall be fabricated of heavy-wall, unitized rectangular steel sections with diagonal bracing for maximum stability. Upper and lower ends of vertical support shall pivot in heavy duty, commercial grade pillow block roller bearing assemblies, which are lubricated and sealed for ease of operation.

Center horizontal backboard support shall be of a unitized construction with dual rectangular structural steel tubes extending from the upper ends of the vertical supports. The dual extension tubes shall intersect at the rear vertical support and taper outward to a 12" (31cm) wide, heavy steel mounting plate positioned directly behind the goal mounting bolt hole pattern on the backboard for maximum lateral stability and to comply with the latest NCAA recommendation which states that "The design of the unit shall transfer the load of the goal directly to the backboard support so as to minimize stress to the glass backboard". The mounting plate shall be designed for direct attachment to the flush mount rear frame of the glass backboard (No. 00208-000) and shall be provided with mounting holes and hardware to support the backboard and allow the goal to be removed or replaced when necessary without removing or disturbing the alignment of the glass backboard. The horizontal frame support shall also be bridged in the vertical plane by an additional heavy-wall rectangular tube to form a truss-like structure for maximum rigidity. Extension assembly shall provide a full 8'-0" (2.44m) from the face of the backboard to the front padding, and 9'-7" (2.92m) vertical dimension from the playing floor with the goal located at the 10'-0" (3.05m) competition height. Upper backboard support arms shall extend diagonally from the horizontal extension assembly for proper backboard support.

A counterbalanced type multiple tension spring operating system concealed within the backstop shall allow one individual to easily raise or lower backboard within a five second cycle time without the use of additional tools or power mechanisms. Counterbalance system shall be completely enclosed and out of sight. Goal shall be locked in playing position (8', 9' or 10') by means of an integral, telescoping diagonal brace system equipped with a positive thru pin and pressure lock arrangement to provide stability in all positions. The thru pin mechanism is designed to accept a padlock provided with each unit to lock the backstop at any playing height or storage position to eliminate use or operation by unauthorized individuals.

SPECIFICATIONS CONTINUED ON Page 2 of 2

SPECIFICATIONS (CONTINUED)

PORTER No. 01535-800 HEIGHT ADJUSTABLE PORTABLE FIELD HOUSE BACKSTOP WITH 8'-0" (2.44m) EXTENSION

Backstop shall be furnished with front vertical support and sides of base covered in durable protective padding. Padding shall consist of a minimum 2" (5cm) thick shock absorbing foam (6 lb. density bonded foam), covered with a 14 oz. (per square yard) vinyl coated polyester scrim material for rip and superior tear resistance. Padding shall be provided with a rigid, solid-core plywood backing for securing to the backstop frame. Entire top of base section shall be enclosed by a matching vinyl covered enclosure. Padding shall be supplied in royal blue as standard. Other colors are available: sky blue, red, white, orange, yellow, beige, gray, maroon, purple, black, navy, kelly green or dark green – Specify if a color other than standard is required.

Overall dimension of backstop in folded, storage position to be: Height of 6'-7" (2m), width of 4'-3" (1.29m) (backboard width of 6'-4" (1.93m)), length of 13' 11-5/8" (4.26m).

All metal parts of backstop shall be furnished with a prime coat and a second coat of durable white enamel.

BACKBOARD – No. 00208-000 – See Page No. B-208 for specifications.

BACKBOARD SAFETY PADDING – No. 00326-000 Pro-Pad[®] – See Page No. B-326 for specifications.

GOAL – No. 00254-500 Torq-Flex[®] 180 Adjustable Goal – See Page No. B-254-5 for specifications.

OPTIONS

No. 01336-300 – Floor Anchor system for No. 01535-800 portable backstops (one pair). (Two optional floor anchors required for each backstop – specify type if required). See Page No. B-1536-8 for specifications on floor anchor system.

Note – The latest NCAA Rules state, "Portable backstops shall be secured to the floor".

No. 01534-608 – HORIZONTAL SUPPORT ARM PROTECTIVE PAD (EACH)

Pad shall cover the bottom and sides of the horizontal backboard support arm and extend to the court line. Pad shall be of 1-1/4" thick closed cell shock absorbing foam, covered in a heavy 14 oz. (per square yard) white, vinyl coated polyester scrim material. Pad shall be furnished with Velcro type attachment strips for ease of installation.

No. 82022-00_ – Shot Clocks (one pair).

No. 82022-02_ – Shot Clocks with Game Time (one pair).

No. 82022-03_ – Shot Clocks (one pair) for use with Porter 821L Series Perimeter LED's.

No. 82022-05_ – Shot Clocks with Game Time (one pair) for use with Porter 821L Series Perimeter LED's.

No. 01337-410 – Shot Clock Supports (one pair), for use with Porter No. 82022 Series Shot Clocks.

No. 00228-300 – Rectangular Wood Backboard (Dura-Lam) with standard No. 00221-H00 Goal.

No. 00225-000 – Super Goal movable goal.