

REVISION	DATE	PORTER No.
PAID UP FRONT DOWN	10-1-97	
Kelly Green was Medium Green	5-1-00	
00254-500 Goal	10-1-2004	
© COPYRIGHT 1996 PORTER ATHLETIC EQUIPMENT CO. ALL RIGHTS RESERVED.	DATE	
	5-6-1996	

01235-108
PORTABLE HYDRAULIC FIELD-HOUSE BACKSTOP WITH 10'-8" EXTENSION

PORTER
 WORLD LEADER IN QUALITY SPORTS EQUIPMENT
 2500 S. 25th AVENUE
 BROADVIEW, ILLINOIS 60155
 www.porter-ath.com

THIS PRINT IS THE PROPERTY OF PORTER ATHLETIC EQUIPMENT COMPANY AND MAY NOT BE REPRODUCED WITHOUT WRITTEN PERMISSION

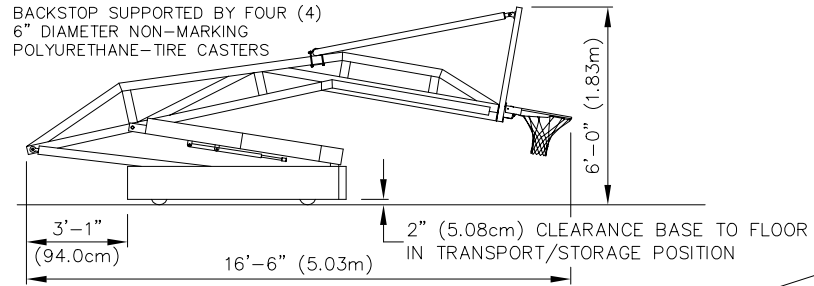
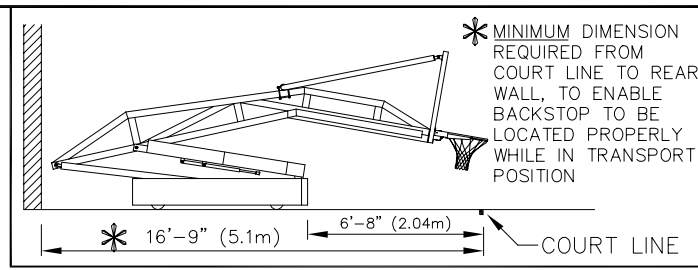
PORTER
 WORLD LEADER IN QUALITY SPORTS EQUIPMENT
 2500 S. 25th AVENUE
 BROADVIEW, ILLINOIS 60155
 www.porter-ath.com

DRAWING BY
RJM

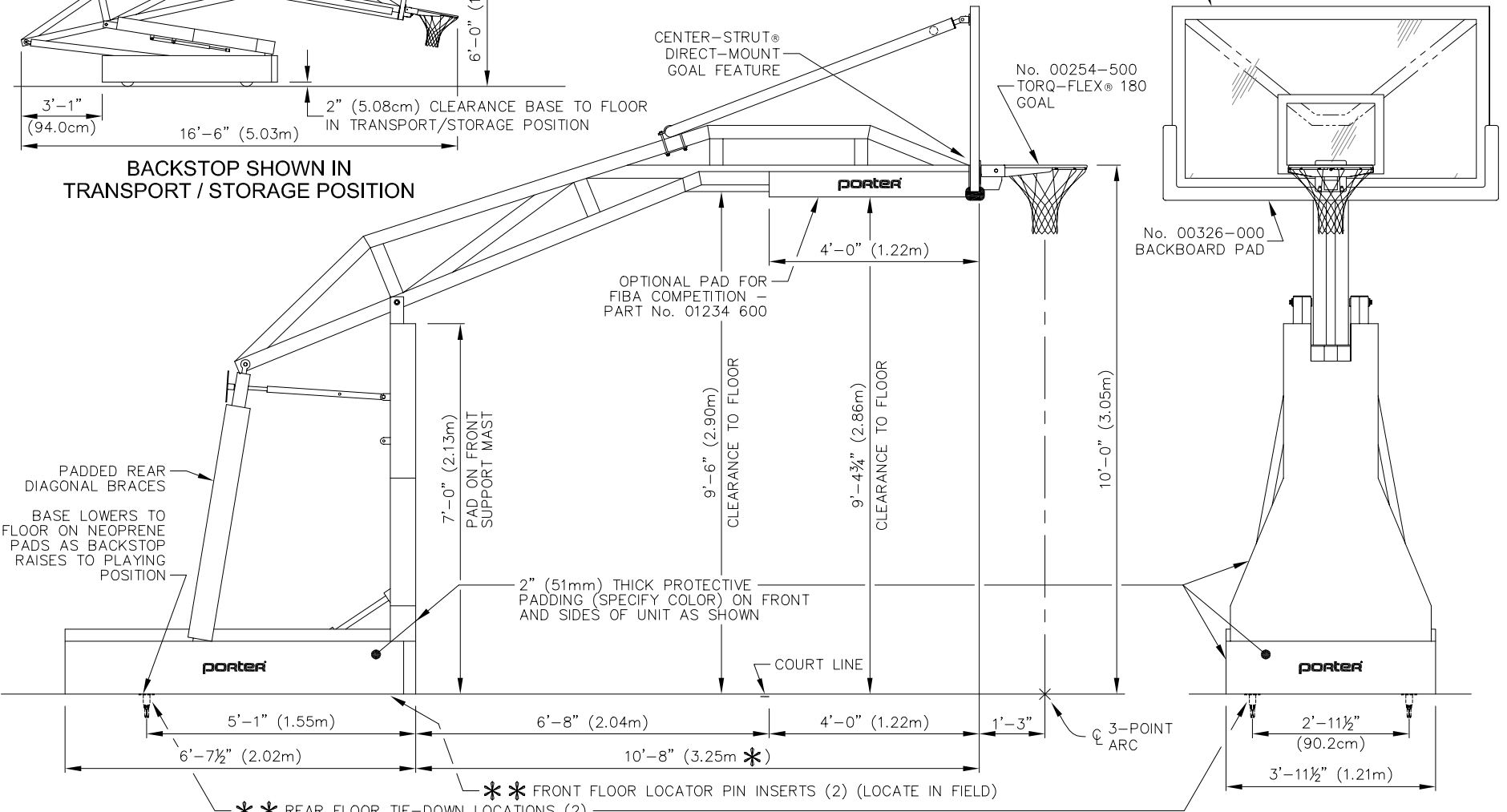
CHECKED BY
ES

PAGE No.
B-1235-10

- 01235-108 PORTABLE BACKSTOP
10'-8" EXTENSION
- PADDING COLOR
RED IS STANDARD. SEE SPECIFICATIONS FOR OPTIONAL COLORS.
- 01337-410 SHOT CLOCK SUPPORT
PAIR (Optional) For use with Porter No. 82022 Series Shot Clocks
- 01234-600 BOOM PAD
FOR FIBA COMPETITION (Optional)



BACKSTOP SHOWN IN TRANSPORT / STORAGE POSITION



** SEE B-1236-10 FOR FLOOR ANCHOR SYSTEM DETAILS

* MEETS FIBA REQUIREMENTS FOR COMPETITION

SPECIFICATIONS

PORTER No. 01235-108 PORTABLE CENTER-STRUT® FIELDHOUSE BACKSTOP WITH 10'-8" (3.25m) EXTENSION WITH 3'-6" x 6'-0" RECTANGULAR GLASS BACKBOARD

Face of backboard shall be supported 10'-8" (3.25m) from the front of the upright support padding to conform to the latest requirement for international competition (FIBA).

Backstop base frame shall be constructed of heavy 12" (30.5cm), and 8" (20.3cm) channel sections, 3/8" x 12" (9.5 x 305mm) wide side plates with an overall size of 3' 11-1/2" (1.21m) in width x 6' 7-1/2" (2.02m) in length (including padding). Base shall be equipped with solid steel ballast nested inside rear of frame of at least 1250 pounds (568kg).

Base frame shall incorporate six (6) 6" (15.2cm) diameter non-marking, polyurethane casters that are actuated to and from transport position by the hydraulic system. Casters shall swing upward, allowing entire base frame to rest on floor when backstop is in playing position, for maximum stability. Entire bottom of base shall be equipped with a gray, non-marking, neoprene material to maximize floor area contact.

Each backstop shall be furnished with a floor anchor system which shall conform to the requirements as stipulated in the latest NCAA Rule 1, Court and Equipment, BR 22, Section 11, which states "Portable backboards shall be secured to the floor". See Page No. B-1236-10 for specifications on No. 01236-400 anchor system.

Specify two (2) optional floor anchors as required for specific floors. (No. 00244-000 or No. 00247-100 anchors recommended for anchorage into concrete slab).

Front of base frame shall be furnished with two (2) floor locator pin inserts to prevent movement of unit during aggressive play.

Vertical support mast assembly to be of seven, heavy-wall rectangular steel sections diagonally braced from base frame to a height not to exceed 4'-0" (1.22m) from the playing floor. Entire width of vertical mast above this 4'-0" (1.22m) dimension shall not exceed 17" (43.2cm) (21" (53.4cm) with padding) to provide for maximum spectator visibility from behind the unit.

Center horizontal backboard support (Center-Strut®) shall extend to a heavy mounting plate directly behind goal mounting holes. Goal shall bolt through glass into said mounting plate to eliminate any strain on glass backboard should a player hang on the front mounted goal. This direct mount feature shall conform to the latest NCAA recommendations. Backstops incorporating "yoke" type bottom, corner mounted backboard supports will not be approved as equal. Center-Strut® type horizontal backboard support structure shall provide a minimum of 9'-6" (2.90m) clearance from the playing court. Upper support arms shall be of 2-3/8" (6.03cm) diameter heavy-wall steel tubing with a provision for plumbing backboard when in playing position.

Hydraulic system shall consist of one double flow type, 1 H.P., 115-volt, 12.8 AMP, single phase capacitor type motor/pump/tank unit for erecting unit to the playing position with a 15-second lifting time capability. Pump shall also be used to activate the four casters into position for moving unit to storage area after the folding cycle has been completed. Pump shall have a built in safety relief valve plus flow control valves to control operating speed of backstop and casters. Pump shall be controlled by a three position (up-off-down) key switch, which shall activate automatic, electric solenoid control valves to easily operate both the folding cycle of the backstop and the casters. Units requiring manual setting sequence of valves for folding and caster operation cycles will not be approved as equal. Unit supplied with 50' long operating cord.

SPECIFICATIONS CONTINUED ON Page 2 of 2

SPECIFICATIONS (CONTINUED)

PORTER No. 01235-108 PORTABLE CENTER-STRUT® FIELDHOUSE BACKSTOP WITH 10'-8" (3.25m) EXTENSION WITH 3'-6" x 6'-0" RECTANGULAR GLASS BACKBOARD

Padding shall be provided for front support, diagonal rear braces and entire base frame. Padding shall consist of a minimum 2" (5.08cm) thick shock absorbing foam, covered with 14 oz. (per sq. yd.) vinyl coated polyester scrim material for rip and tear resistance. Padding shall be provided with rigid, solid-core plywood backing for securing to the backstop frame. Padding consisting of skin type, foam insulation type sheeting, glued to the unit will not be approved as equal. Padding shall be supplied in red as standard. Other colors are available: sky blue, royal blue, white, orange, yellow, beige, gray, maroon, purple, black, navy, kelly green or dark green – Specify if a color other than standard is required.

Overall dimensions of backstop in folded, storage position to be: Height 6'-0" (1.83m), Width 6'-4" (1.93m), Length 16'-6" (5.03m).

Backstop shall be furnished with prime coat with a second coat of white enamel.

BACKBOARD – No. 00208-000 – See Page No. B-208 for specifications.

BACKBOARD SAFETY PADDING – No. 00326-000 Pro-Pad® – See Page No. B-326 for specifications.

GOAL – No. 00254-500 Torq-Flex® 180 Adjustable Goal – See Page No. B-254-5 for specifications.

OPTIONS

No. 01234-600 – HORIZONTAL SUPPORT ARM PROTECTIVE PAD (EACH)

Pad shall be designed and fabricated to meet the International Basketball Federation (FIBA) requirements for competition. Pad shall cover the bottom and sides of the horizontal backboard support arm and extend to the court line.

Pad shall be of 1-1/4" thick closed cell shock absorbing foam, covered in a heavy 14 oz. (per square yard) white, vinyl coated polyester scrim material. Pad shall be furnished with Velcro type attachment strips for ease of installation.

No. 82022-00_ – Shot Clocks (one pair).

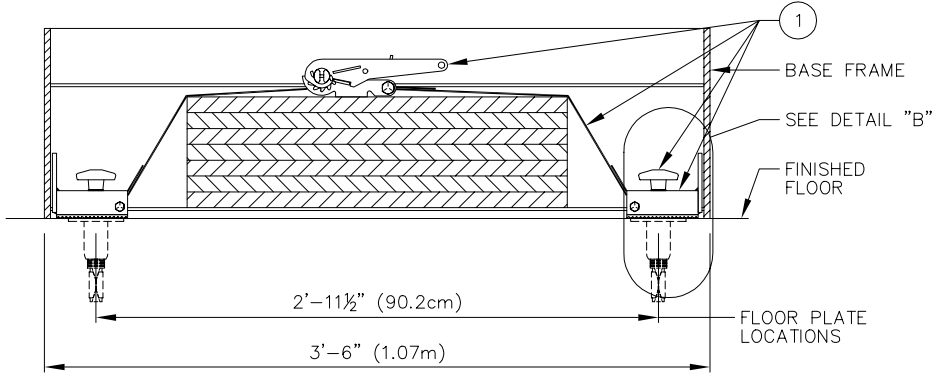
No. 82022-02_ – Shot Clocks with Game Time (one pair).

No. 82022-03_ – Shot Clocks (one pair) for use with Porter 821L Series Perimeter LED's.

No. 82022-05_ – Shot Clocks with Game Time (one pair) for use with Porter 821L Series Perimeter LED's.

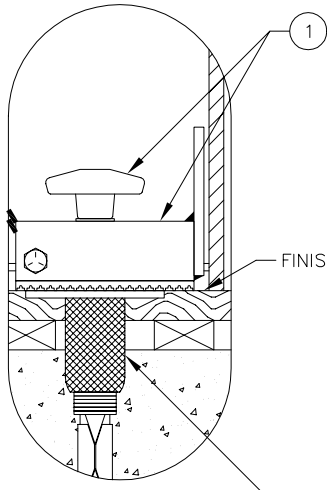
No. 01337-410 – Shot Clock Supports (one pair), for use with Porter No. 82022 Series Shot Clocks.

PARTS LIST		DESCRIPTION	
No.	QTY.		
1	1	BASE 00116 101	TIE-DOWN ASSEMBLY



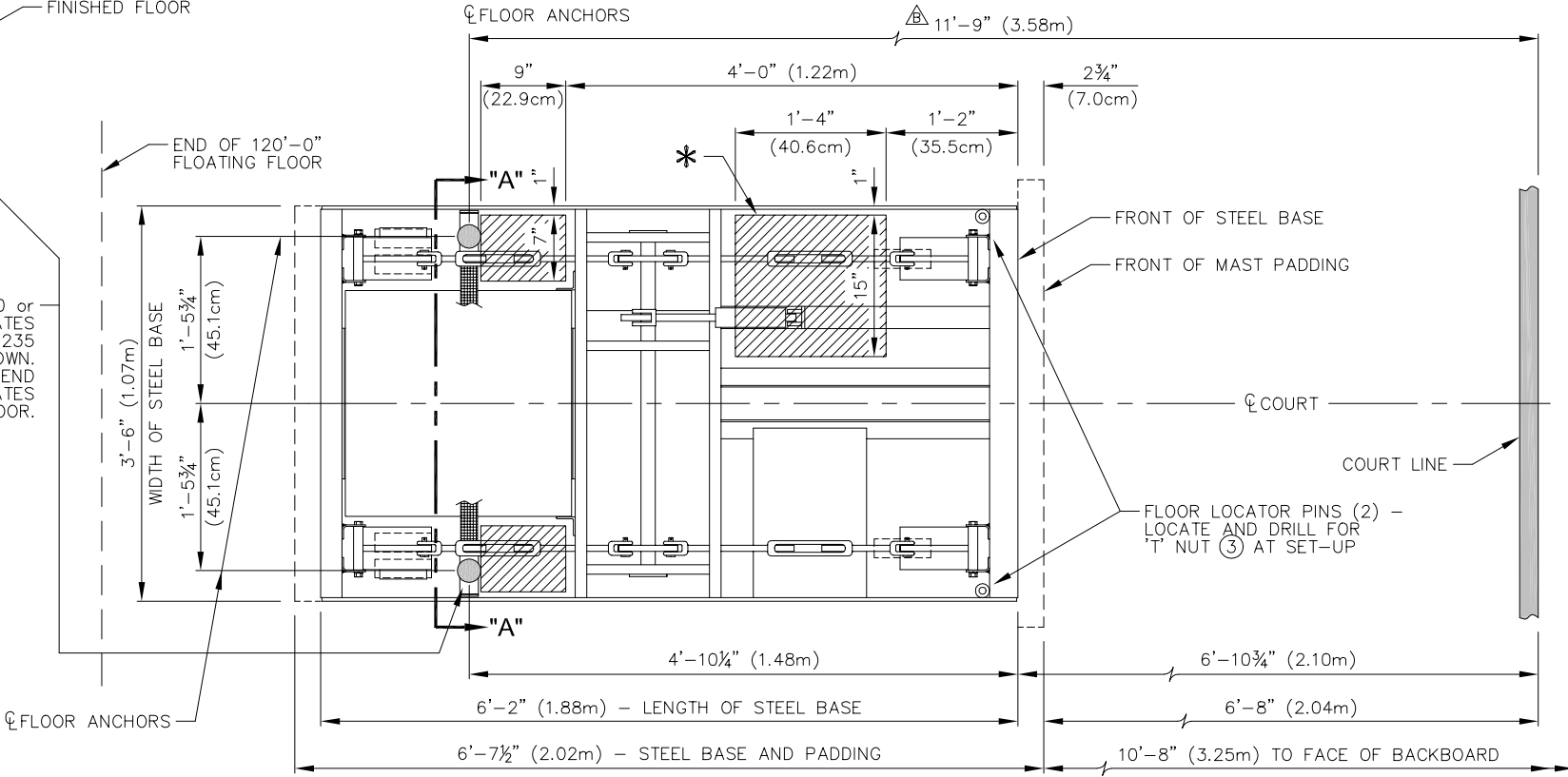
SECTION "A-A"

* NOTE - SHADED AREAS SHOW LOCATION OF FLOOR AREAS FOR USE WITH OPTIONAL FLOOR MOUNTED TYPE POWER AND CONTROL RECEPTACLES FOR SHOT CLOCK TIMERS.



DETAIL "B"

TWO (2) No. 00244-000 or 00247-100 FLOOR PLATES LOCATED UNDER No. 1235 BASE FRAME AS SHOWN. NOTE - RECOMMEND INSTALLING FLOOR PLATES INTO CONCRETE SUB-FLOOR.



PLAN VIEW

FLOOR ANCHORS REQUIRED (2)
FOR USE WITH TIE-DOWN

REVISION	DATE	PORTER No.
1	10-1-97	
2	11-1-98	
3	4-1-2004	

TIE-DOWN SYSTEM
FLOOR ANCHOR SYSTEM SUPPLIED WITH
No. 01235-108 PORTABLE BACKSTOP

Porter
WORLD LEADER
IN QUALITY SPORTS EQUIPMENT
2500 S. 25th AVENUE
BROADVIEW, ILLINOIS 60155
www.porter-ath.com

DRAWING BY RJM	CHECKED BY ES	PAGE No. B-1236-10
-------------------	------------------	-----------------------

© COPYRIGHT 1996 PORTER ATHLETIC EQUIPMENT CO. ALL RIGHTS RESERVED. DATE 5-3-1996. THIS PRINT IS THE PROPERTY OF PORTER ATHLETIC EQUIPMENT COMPANY AND MAY NOT BE REPRODUCED WITHOUT WRITTEN PERMISSION.

SPECIFICATIONS

PORTER FLOOR ANCHOR SYSTEM (EACH) **FOR ONE No. 01235-108 CENTER-STRUT® PORTABLE BACKSTOP**

Floor anchor system shall conform to the requirements as stipulated in the latest NCAA Rule 1, Court and Equipment, BR 20, Section 9, which states "Portable backboards shall be secured to the floor".

Anchor system must be concealed entirely within the base unit of the portable backstop to completely eliminate any exposed or unsafe projections. Anchor system must also be located in such a position to prevent unit from tipping and to prevent movement on the floor during aggressive play.

System consists of a heavy-duty ratchet tensioning mechanism and heavy, 1-3/4" wide, high tensile nylon straps with floor anchor adapters on both ends for securing into two (2) optional floor anchors. Handwheels shall be provided with special retainer rings to prevent removal from tie-down system to prevent loss or theft. Tensioning strap mechanism shall lay across counterweights in base of unit to secure backstop firmly to the floor to prevent movement during any slam-dunking or hanging on the rim.

Specify two (2) optional floor anchors as required for specific floors. (No. 00247-100 or No. 00244-000 anchors recommended for anchorage into concrete slab.)

Front of base shall be furnished with two locator pins and mating 'T' nuts that position the unit on the playing floor.