

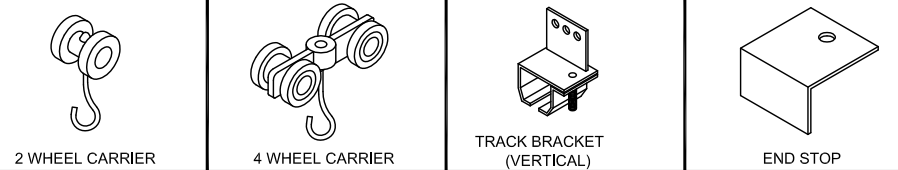
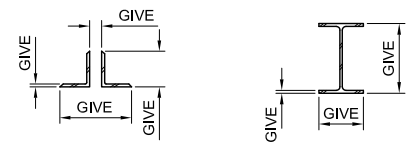
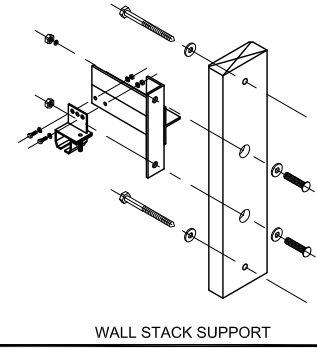
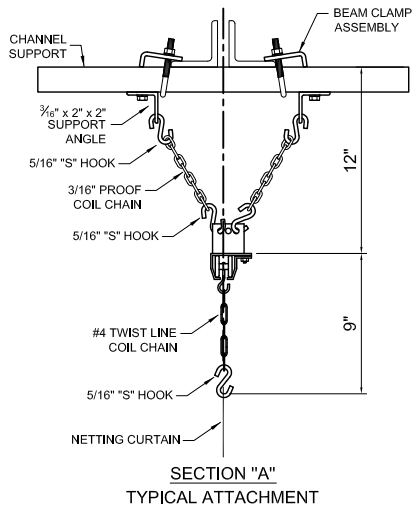
© COPYRIGHT 2010 PORTER ATHLETIC INC.  
 ALL RIGHTS RESERVED  
 THIS PRINT IS THE PROPERTY OF PORTER  
 ATHLETIC INC. AND MAY NOT BE  
 REPRODUCED WITHOUT WRITTEN  
 PERMISSION

WALK-DRAW NETTING CURTAIN

90640-N00

**porter**  
 WORLD LEADER  
 IN QUALITY SPORTS EQUIPMENT  
 601 MERCURY DRIVE  
 CHAMPAIGN, ILLINOIS 61822  
 www.porterathletic.com

PAGE No.  
**C-640-N**  
 DATE  
 1/7/2011

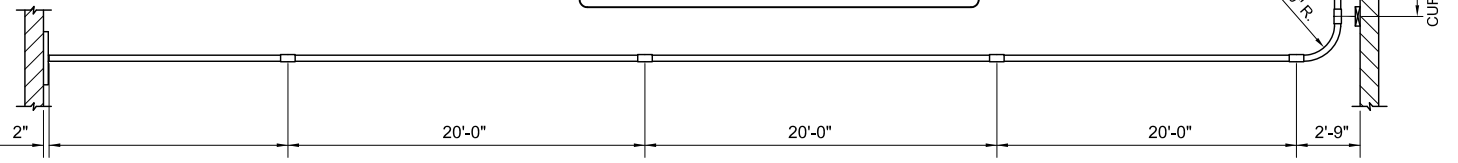


NET MATERIAL OPTIONS	BREAKING STRENGTH
#96 KNOTTED 1 3/4" MESH (DISCUS)	940 LBS
#36 KNOTTED 1 3/4" MESH (BASEBALL)	340 LBS
#21 KNOTTED 1 3/4" MESH (BASEBALL)	210 LBS
#420 KNOTLESS 3/4" MESH (GOLF)	135 LBS
#252 KNOTLESS 3/4" MESH (GOLF)	95 LBS

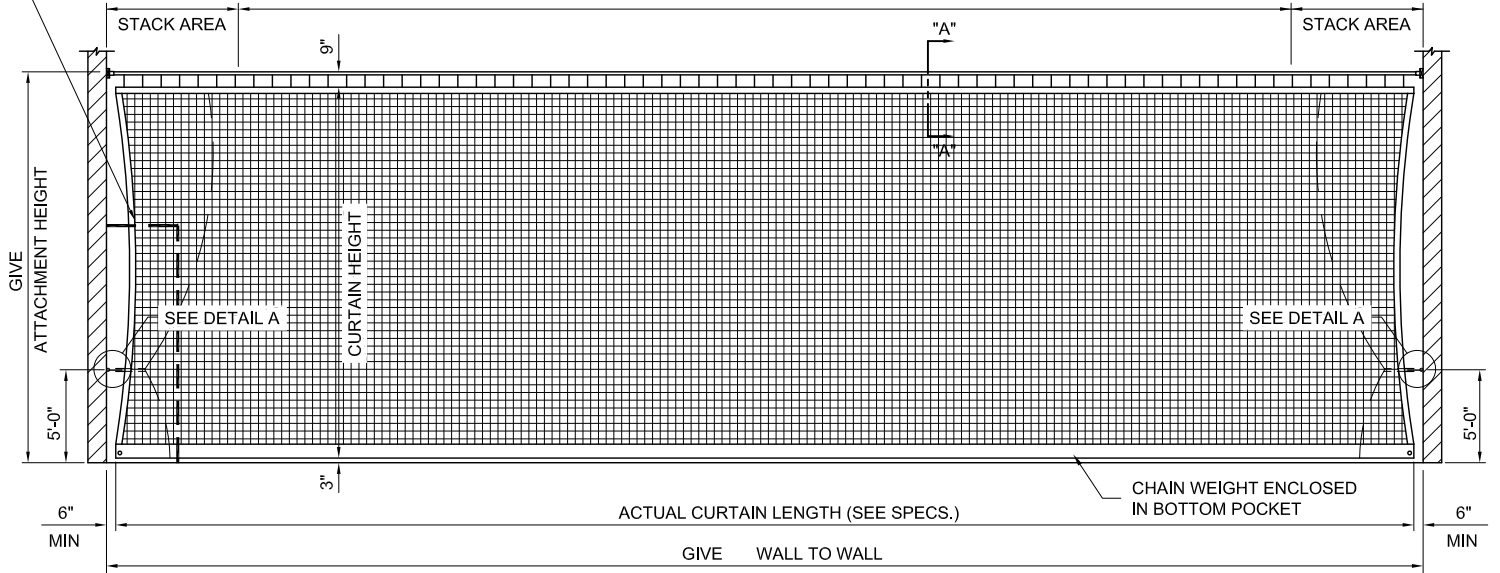
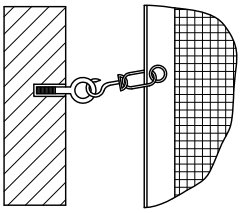
COLOR OPTIONS		
NETTING	VINYL POCKETS	ROPE SUPPORTS
BLACK	BLACK	BLACK
GREEN	GREEN	BLACK
WHITE	WHITE	WHITE

REDUCE TRACK SUPPORT  
 SPACING AT STACKING  
 AREA TO 2'-0" ON CENTER

FIELD CHECK NOTE:  
 1. FILL OUT SUPPLEMENTARY FIELD CHECK GUIDE.  
 2. NOTE ANY BLEACHERS, DUCT WORK,  
 LIGHTS, ETC. WHICH MAY INTERFERE  
 WITH CURTAIN. DIMENSION ALL  
 OBSTACLES.



WALL DESCRIPTION  
 MATERIAL: GIVE  
 THICKNESS: GIVE



- 90640-N00 WALK-DRAW GYMNASIUM DIVIDER NET CURTAIN  
 MAXIMUM SIZE = 125'-0" Lg. AND 3,000 Sq. Ft.  
 NET MATERIAL: \_\_\_\_\_, NET COLOR: \_\_\_\_\_

# SPECIFICATIONS

## PORTER No. 90640-N00 TRACK TYPE WALK-DRAW NETTING CURTAIN

The curtain shall be made of a nylon netting material, specify below. The netting material shall meet the National Fire Protection Association Standard 701 Small Scale Test for flammability resistance.

Material	Mesh Size	Breaking Strength
#252 Knotless	3/4"	95 lbs
#420 Knotless	3/4"	135 lbs
#21 Knotted	1 3/4"	210 lbs
#36 Knotted	1 3/4"	340 lbs
#96 Knotted	1 3/4"	940 lbs

The net curtain is available in the following colors – Black, Green, and White (specify).

Bottom of curtain shall contain a concealed chain.

Top hem of curtain shall be 2" wide, solid material with 3/8" I.D. metal spur grommets spaced on 12" centers.

Curtain track shall be enclosed, formed channel type to protect rollers from collecting dust, etc., which could hinder the free operation of the curtain. Track shall be heavy-duty type, 16 gauge galvanized steel suspended from building structure at centers not to exceed 8'-0" centers. At curtain stacking area(s), track support spacing shall be 2'-0" on center. Support hardware shall be of heavy-duty high tensile ductile iron, clamp type castings or other heavy-duty supports as prescribed by building conditions and divider locations.

Four wheel ball bearing, swivel type master carriers shall be located at each end of curtain. Intermediate carriers spaced on 12" centers shall be 1" diameter, dual nylon rollers with swivel type hook for attachment of electronically welded and plated, #4 twist line coil chain and S-hooks for attaching to grommets on top hem of curtain with bottom hem hanging approximately 3" above floor.

Each end of divider shall be equipped with snap hook and wall mounted screw eye for securing to wall. Vinyl nylon strap with snap swivel shall also be provided to secure curtain against wall when not in use.

Curtain shall be supplied with 1/2" of fullness per foot of room size to allow curtain to easily extend from wall to wall without stretching taut (example – on a 50' wall to wall dimension the actual curtain length total of both halves would be 52'-1".)

Curtain stack area – Each foot of length (actual curtain length) requires 1" of stack area. Curtain may be provided in two sections (bi-parting type) allowing one half of the curtain to be stacked on each side of room. Curtain stack area may also be parallel to wall when required by means of a 2'-0" radius curved track and straight track of a length required for proper storage of curtain.