

REVISION	DATE	PORTER [®] No.
▲		CUSTOMER No.
▲		DATE
▲		

© COPYRIGHT 2009
PORTER ATHLETICS, INC.
ALL RIGHTS RESERVED

DATE: 11-17-2009

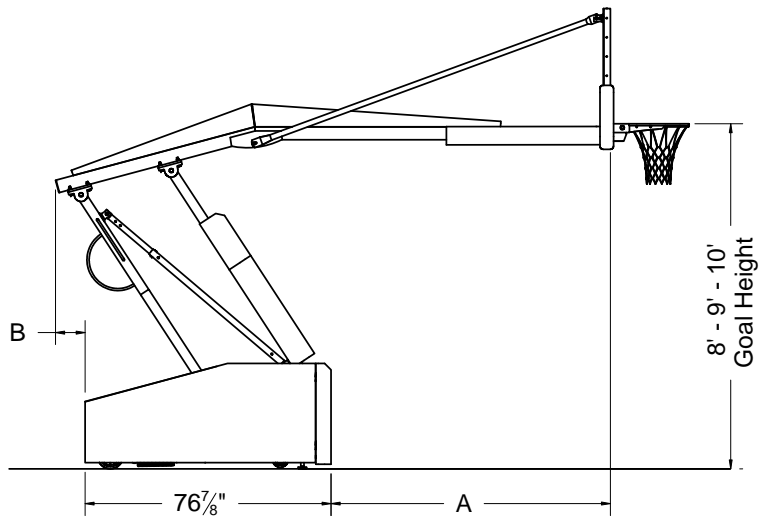
01735-108
HEIGHT-ADJUSTABLE PORTABLE BACKSTOP
WITH 10'-8" EXTENSION

THIS PRINT IS THE PROPERTY OF PORTER ATHLETIC, INC. EQUIPMENT COMPANY
AND MAY NOT BE REPRODUCED WITHOUT WRITTEN PERMISSION.

Porter
IN QUALITY SPORTS EQUIPMENT

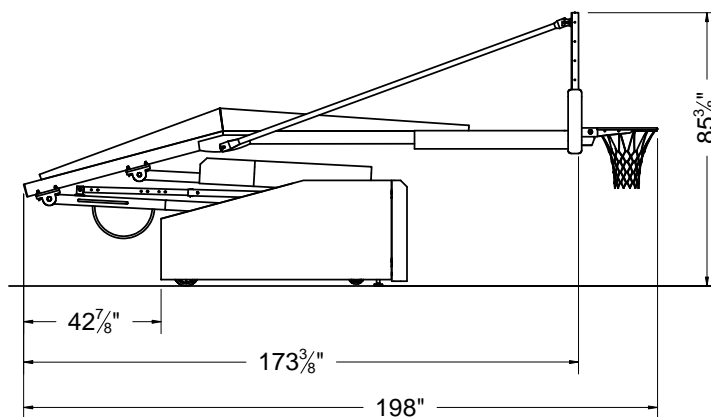
601 MERCURY DR
CHAMPAIGN, ILLINOIS 61822
www.porterathletic.com

DRAWING BY: CEB
CHECKED BY: -
PAGE No. B-01735108

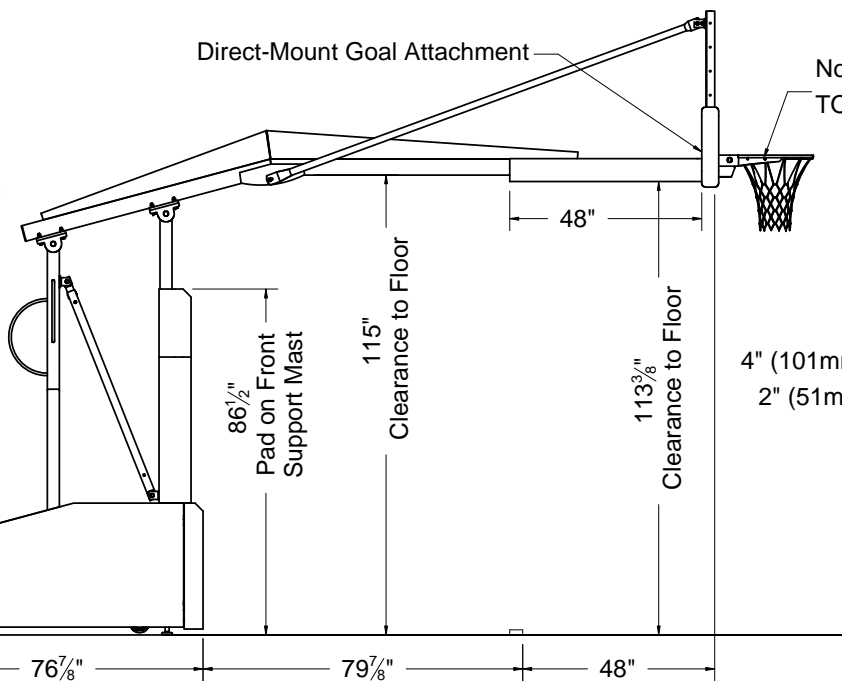


GOAL HEIGHT SETTING			
	10'	9'	8'
A	10'-8"	7'-3 3/8"	6'-1 1/8"
B	NA	9 1/4"	1'-11 7/16"

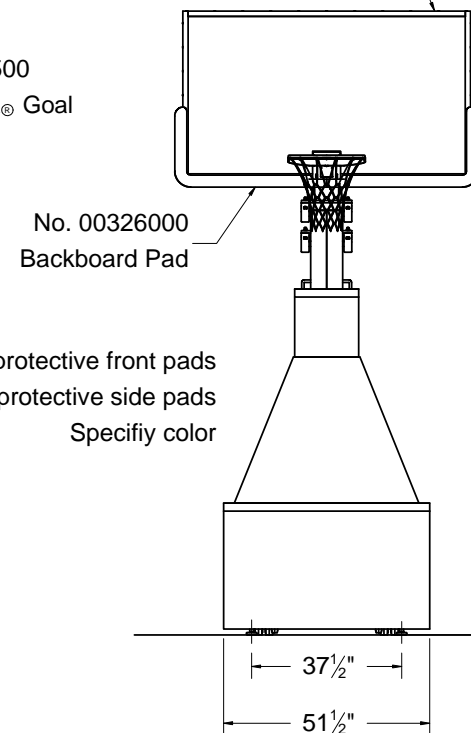
Unit shown in transport / storage position



Backstop supported by six (6)
non-marking rubber tread casters.
Front - Two 5" Swivel Casters
Rear - Two 8" Dual Rigid Casters



No. 00208000
Rectangular Glass Backboard



Counter-weight 1755 lbs
in rear of base assembly

4" (101mm) thick protective front pads
2" (51mm) thick protective side pads
Specify color

See B-1736-10 for Floor Anchor System details